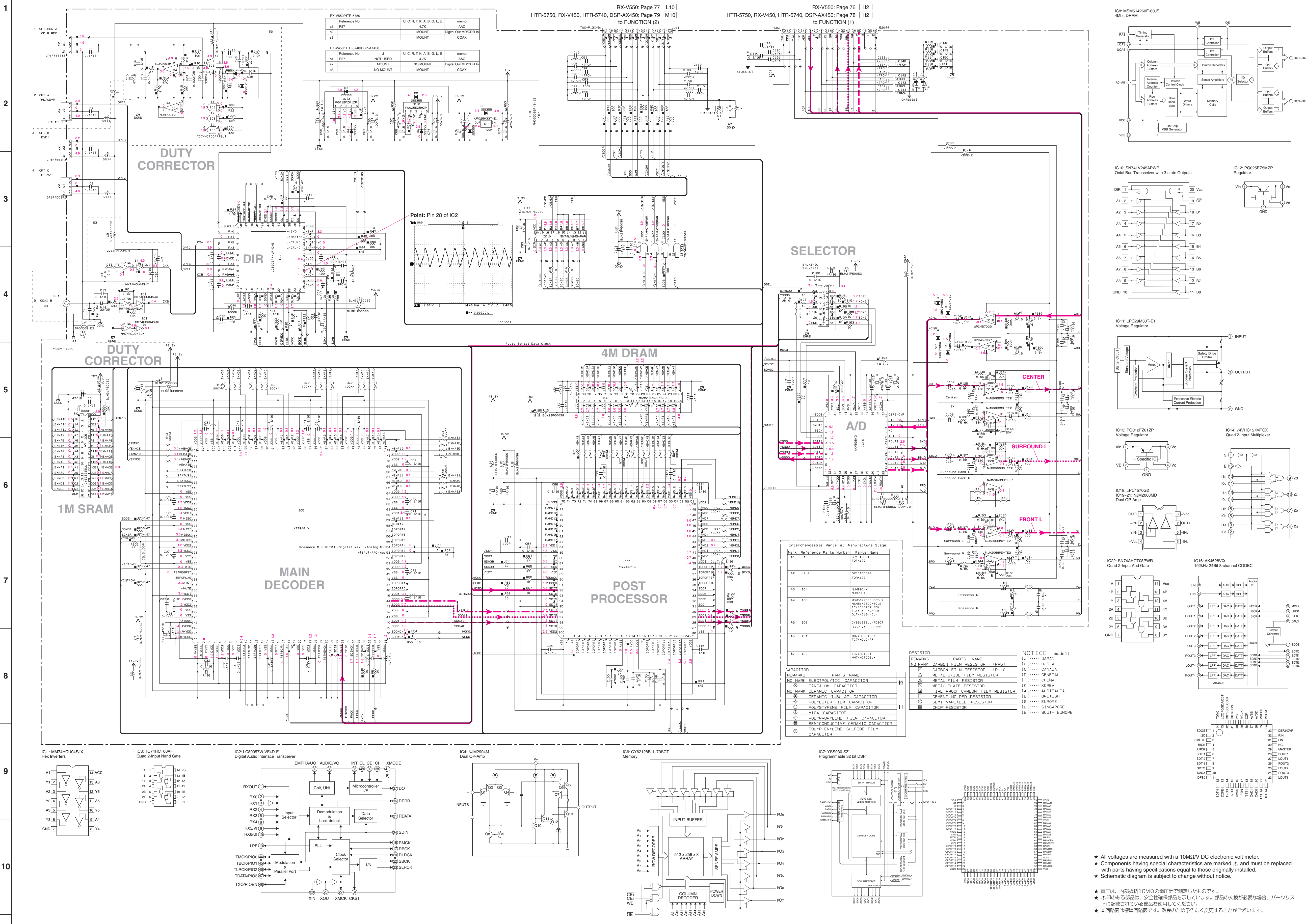


SCHEMATIC DIAGRAM (DSP)



Reference No.	U.C.R.T.K.A.B.G.L.E	memo
s1	ASAC	MEMO
s2	4.7K	MEMO
s3	Digital Out MDCCDR In	COAX

Reference No.	U.C.R.T.K.A.B.G.L.E	memo
s1	NOT USED	MEMO
s2	NO MOUNT	MEMO
s3	NO MOUNT	Digital Out MDCCDR In

Reference No.	U.C.R.T.K.A.B.G.L.E	memo
s1	ASAC	MEMO
s2	4.7K	MEMO
s3	Digital Out MDCCDR In	COAX

Reference No.	U.C.R.T.K.A.B.G.L.E	memo
s1	NOT USED	MEMO
s2	NO MOUNT	MEMO
s3	NO MOUNT	Digital Out MDCCDR In

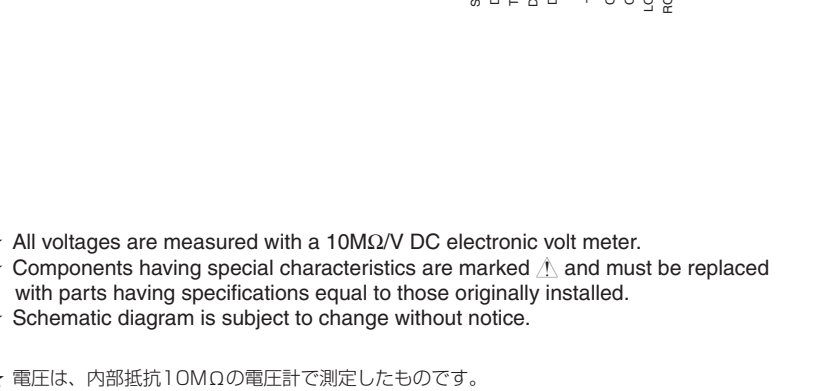
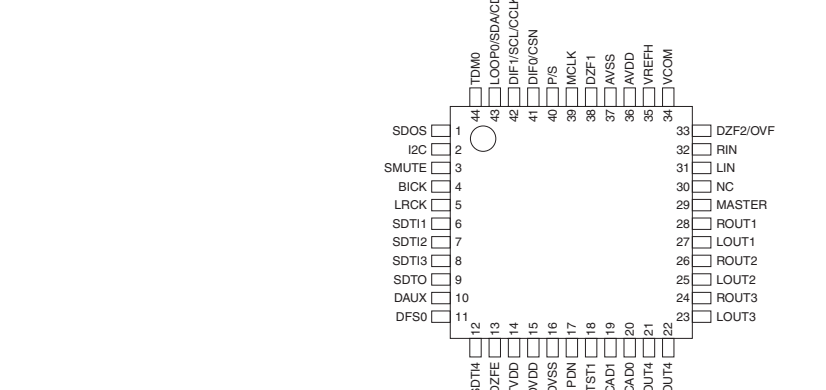
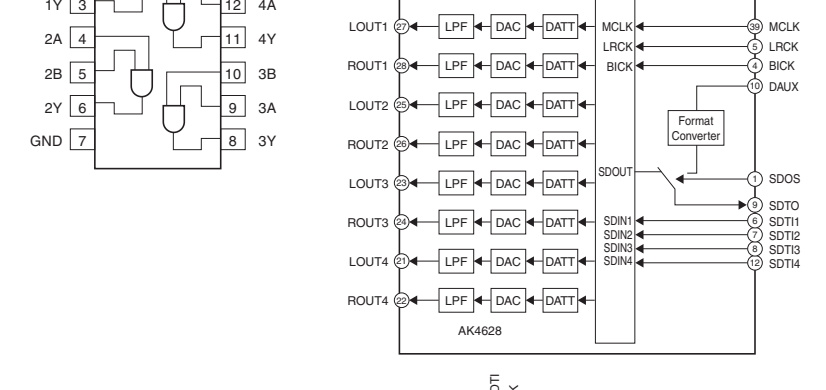
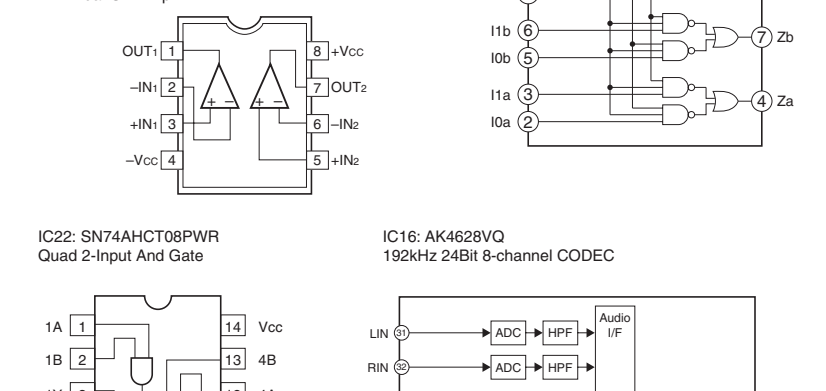
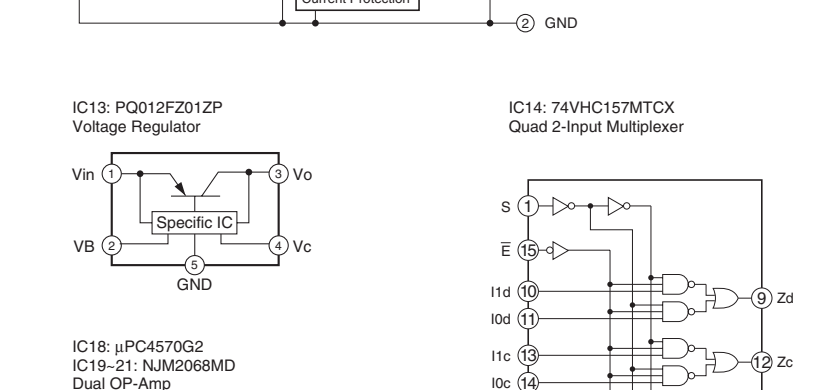
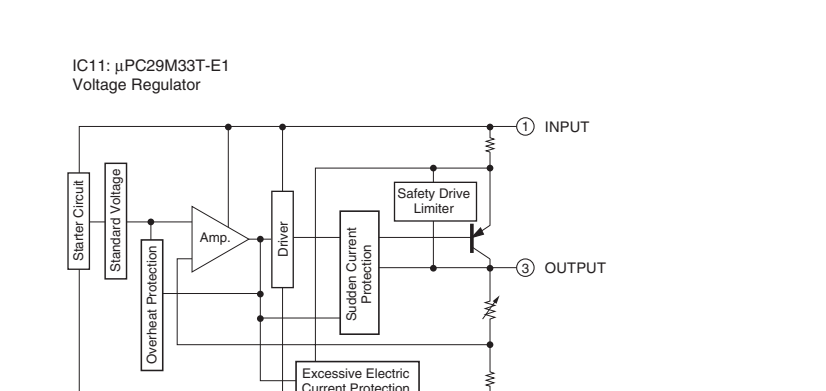
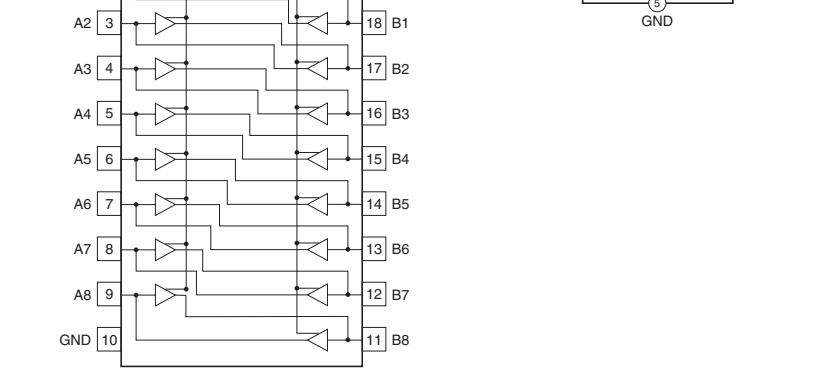
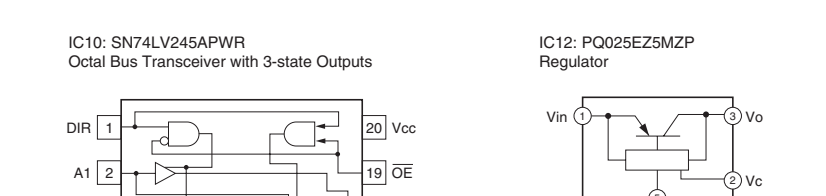
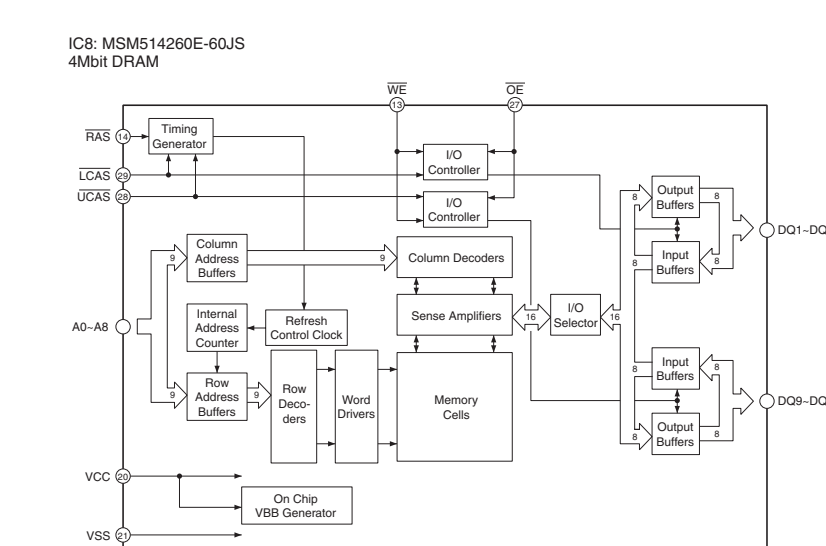
Interchangeable Parts at Manufacture-Stage

Part No.	Reference Parts Number	Parts Name
1	U1-4	GP1FAS52Z
2	IC4	NM2904M
3	IC8	MSM14200E-60JS
4	IC6	CH2128BL-70SCT
5	IC1	MM74HC04SX
6	IC3	TC74HC100AF

REMARKS	PARTS NAME
NO MARK	CARBON FILM RESISTOR (P=5)
NO MARK	CARBON FILM RESISTOR (P=10)
NO MARK	METAL OXIDE FILM RESISTOR
NO MARK	METAL FILM RESISTOR
NO MARK	FINE-PROP. CARBON FILM RESISTOR
NO MARK	CERMENT MOLDED RESISTOR
NO MARK	SEMICONDUCTIVE CERAMIC CAPACITOR
NO MARK	POLYPROPYLENE FILM CAPACITOR
NO MARK	POLYPHENYLENE SULFIDE FILM CAPACITOR

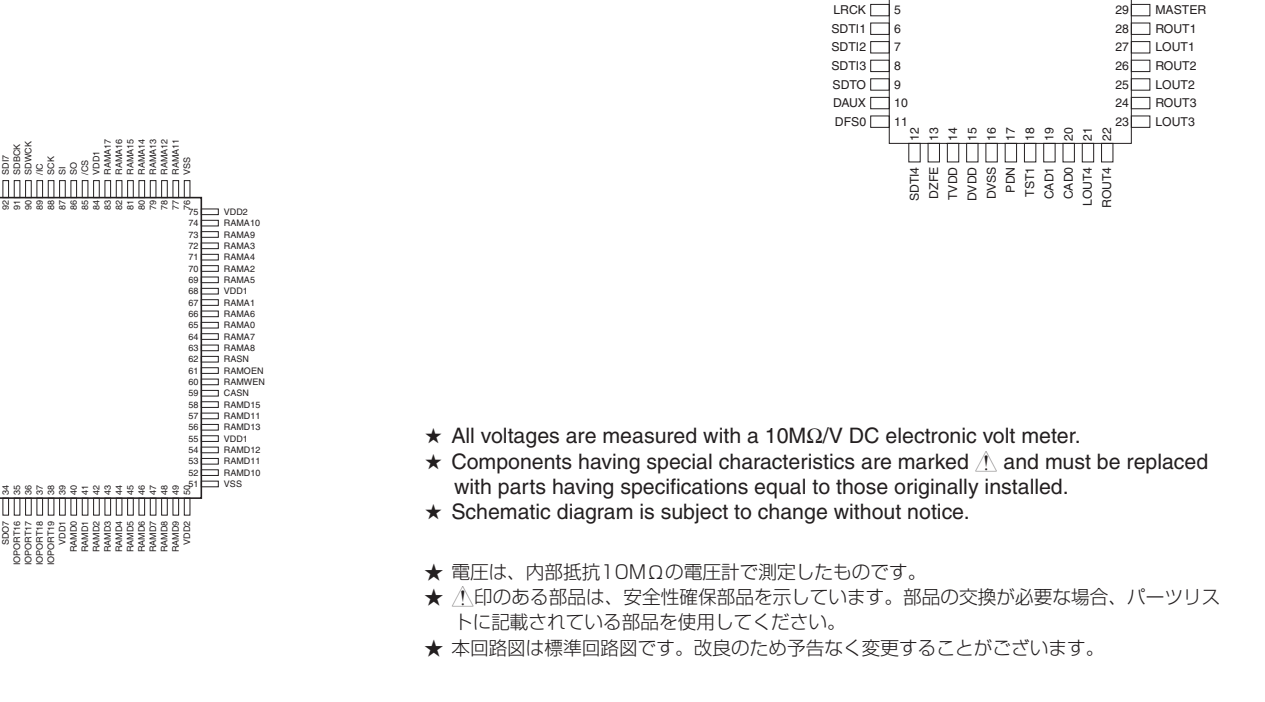
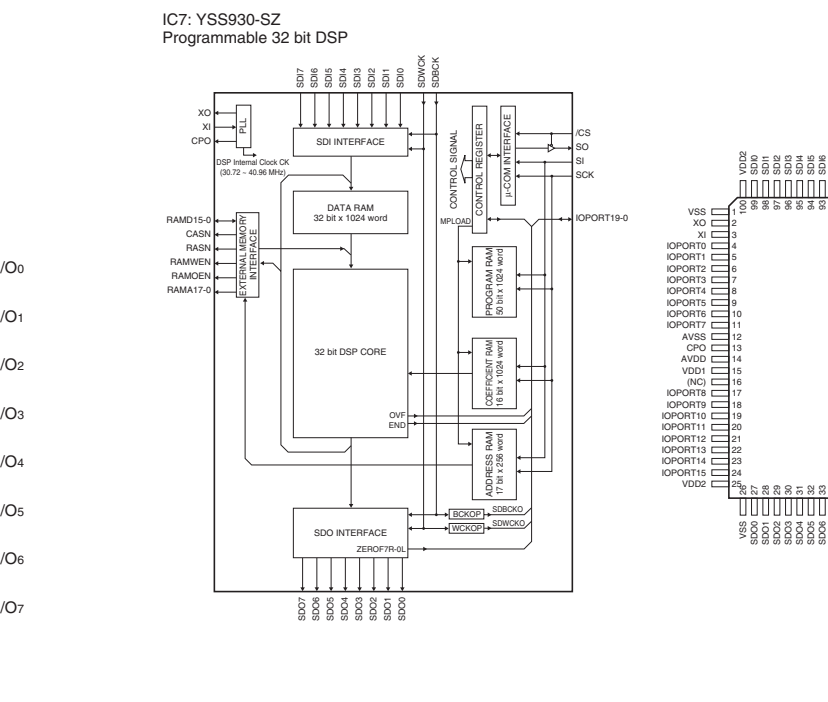
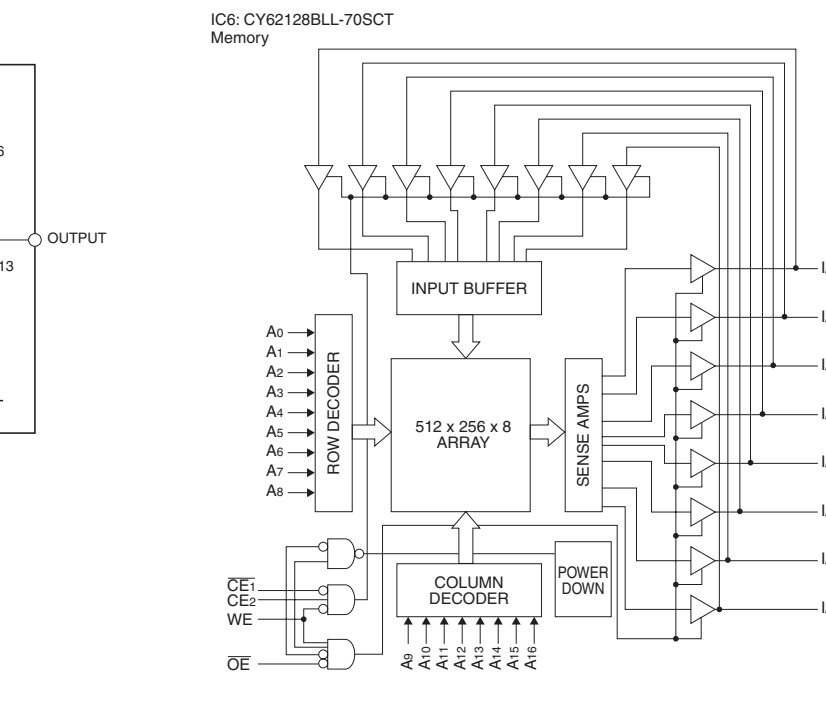
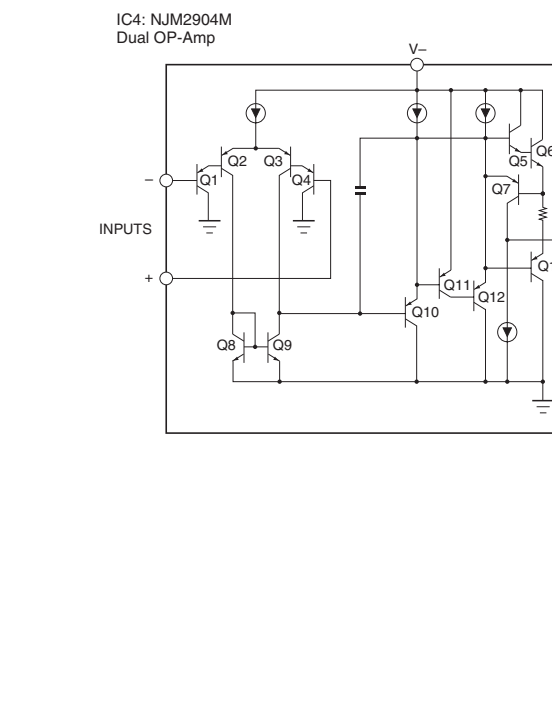
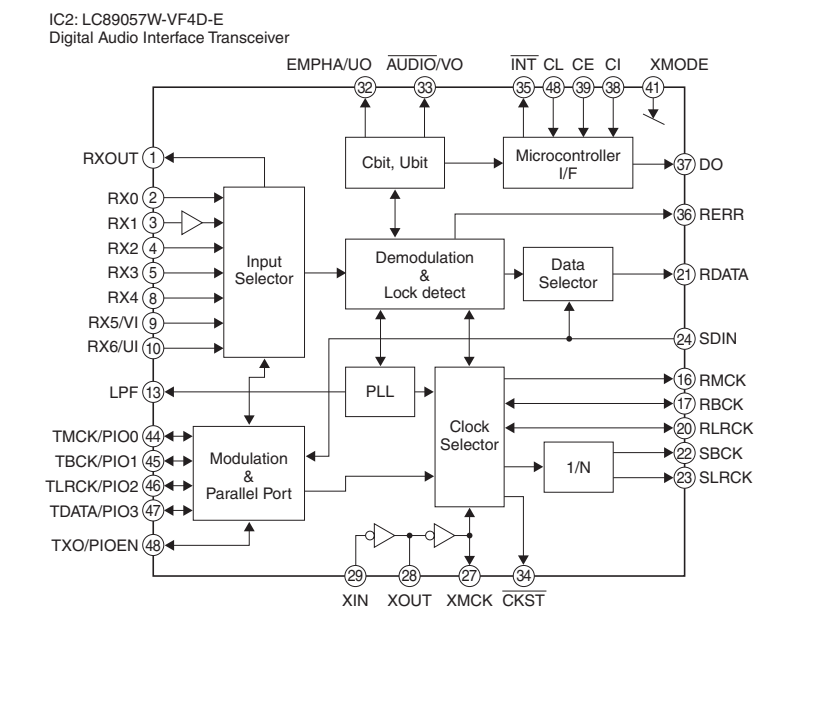
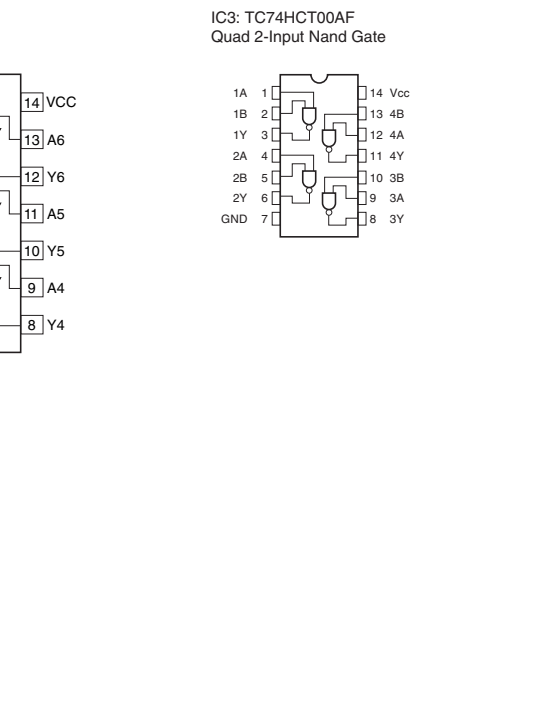
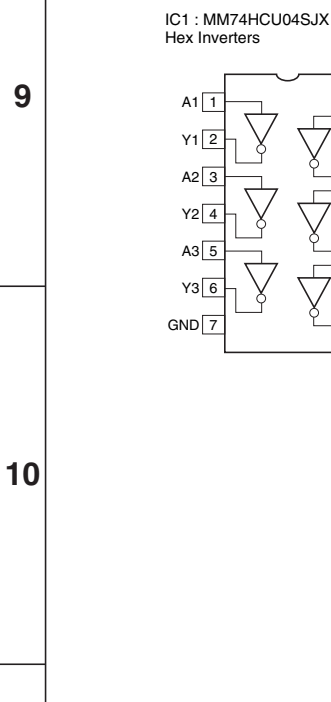
NOTICE (model)

(J)..... JAPAN
 (U)..... U.S.A
 (C)..... CANADA
 (G)..... GENERAL
 (T)..... CHINA
 (K)..... KOREA
 (A)..... AUSTRALIA
 (B)..... BRITISH
 (L)..... EUROPE
 (S)..... SINGAPORE
 (E)..... SOUTH EUROPE



★ All voltages are measured with a 10MΩ/V DC electronic volt meter.
 ★ Components having special characteristics are marked with a triangle, and must be replaced with parts having specifications equal to those originally installed.
 ★ Schematic diagram is subject to change without notice.

★ 電圧は、内部抵抗10MΩの電圧計で測定したものです。
 ★ 三角形のある部品は、安全性確保部品を示しています。部品の交換が必要な場合、パーツリストに記載されている部品を使用してください。
 ★ 本回路図は標準回路図です。改良のため予告なく変更することがございます。



SCHEMATIC DIAGRAM (FUNCTION 1/2) RX-V550

	U-C	R	T	K	A	B-G-E	L
91	PJ752	MSP-246V1-01NI V704670	MSP-244V1-01NI V704670	MSP-244V1-01NI V704670	MSP-244V1-01NI V704670	MSP-246V1-01NI V704670	MSP-244V1-01NI V704670
92	0751-752 754-755	C33261A/B1 V030370	X	X	X	C33261A/B1 V030370	X
93	C754-755	47P F665147	X	X	X	47P F665147	X
94	C767-768	10/16 URB3710	X	X	X	10/16 URB3710	X
95	R760-761	100 RD39510	X	X	X	100 RD39510	X
96	R779-780	220 RD39522	X	X	X	220 RD39522	X
97	R782-783	1K RD39510	X	X	X	1K RD39510	X
98	R771-774	10K RD39710	X	X	X	10K RD39710	X
99	R788-789	100K RD39510	X	X	X	100K RD39510	X
100	IC302	BD3841FS X3547AD	X	X	X	BD3841FS X3547AD	X
101	C328-329	0.1/16 US13510	X	X	X	0.1/16 US13510	X
102	C772	0.01 US06410	X	X	X	0.01 US06410	X
103	R791	2-2 RD35322	X	X	X	2-2 RD35322	X
104	R785-786	2-2K RD35622	X	X	X	2-2K RD35622	X

NOT USED
USED/APPLICABLE

NOTICE (mode1)
(J)..... JAPAN
(U)..... U.S.A
(C)..... CANADA
(A)..... GENERAL
(T)..... CHINA
(K)..... KOREA
(A)..... AUSTRALIA
(B)..... BRITISH
(G)..... EUROPE
(L)..... SINGAPORE
(E)..... SOUTH EUROPE

Interchangeable Parts at Manufacture Stage

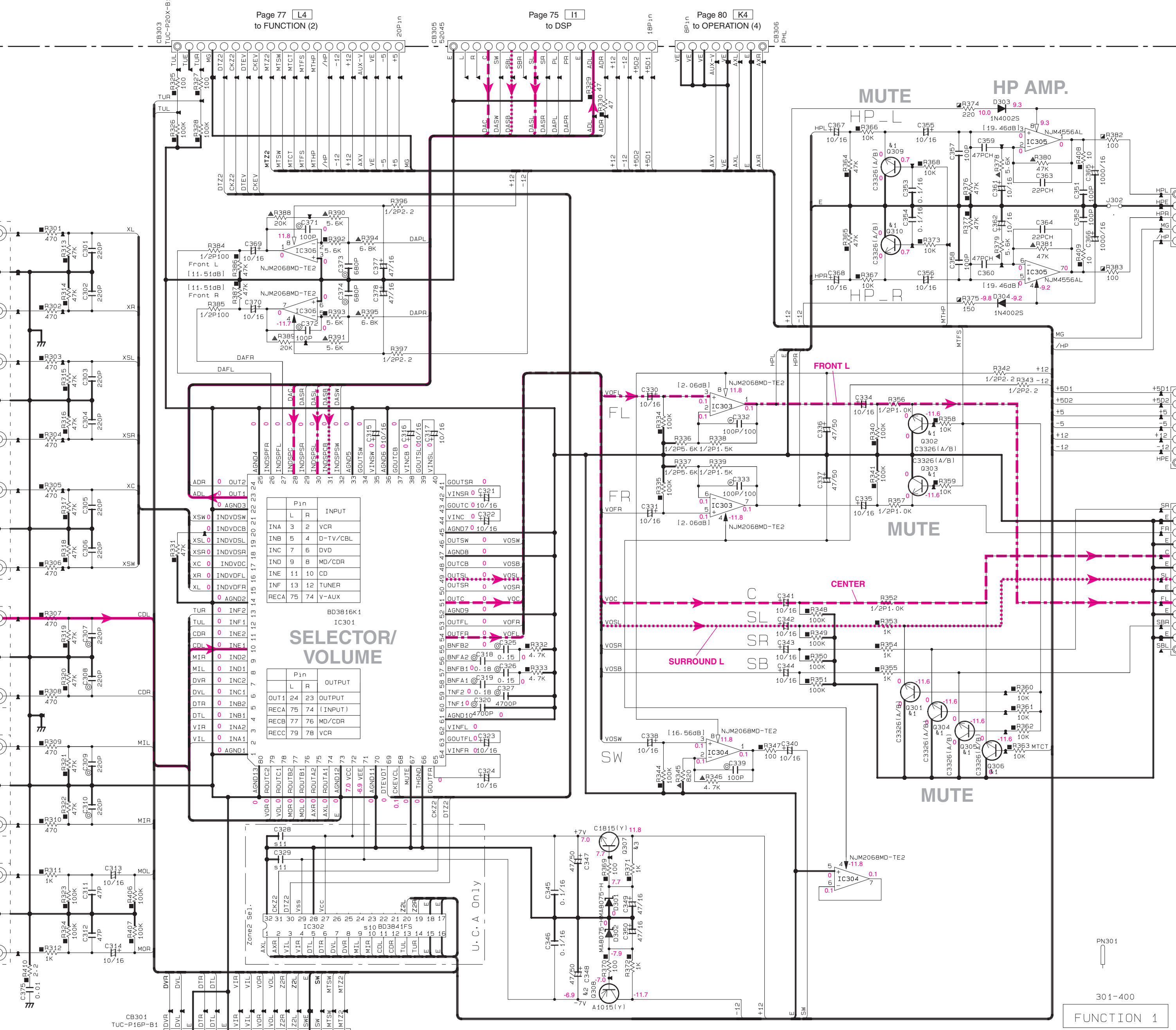
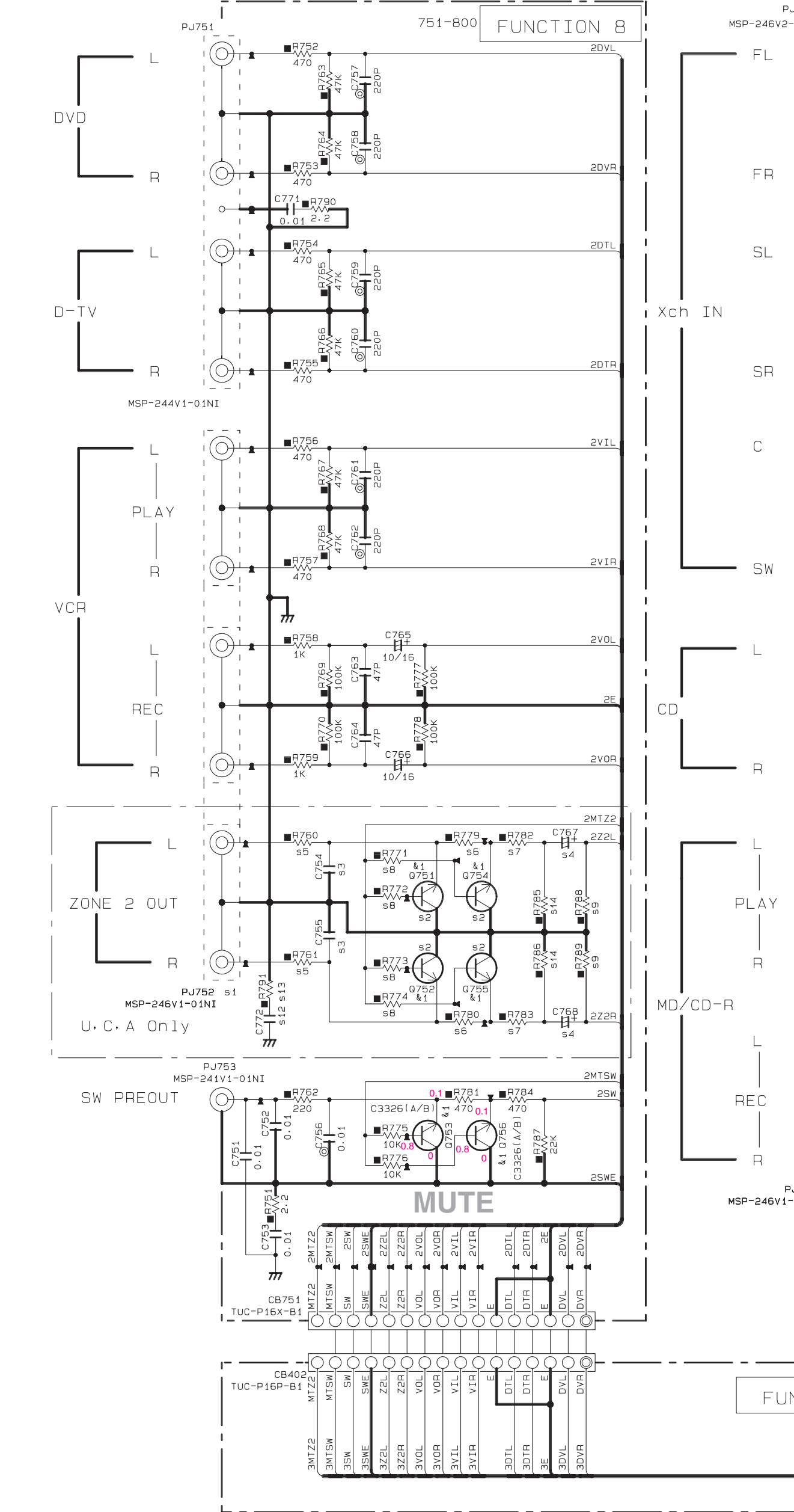
Mark	Reference Parts Number	Parts Name
k1	0301-306, 309, 310 751-756	2SC33261A/B1 2SD3744A1 2SC33261B1 2SC5938A1A/B1
k2	0308	2SA10151Y1 KTA1266
k3	0307	2SC18151Y1 KTC3198

RESISTOR

REMARKS	PARTS NAME
NO MARK	CARBON FILM RESISTOR (P=5)
△	CARBON FILM RESISTOR (P=10)
□	METAL OXIDE FILM RESISTOR
○	METAL FILM RESISTOR
◇	METAL PLATE RESISTOR
⊖	FIRE PROOF CARBON FILM RESISTOR
⊕	CEMENT MOLDED RESISTOR
⊗	SEMI VARIABLE RESISTOR
■	CHIP RESISTOR

CAPACITOR

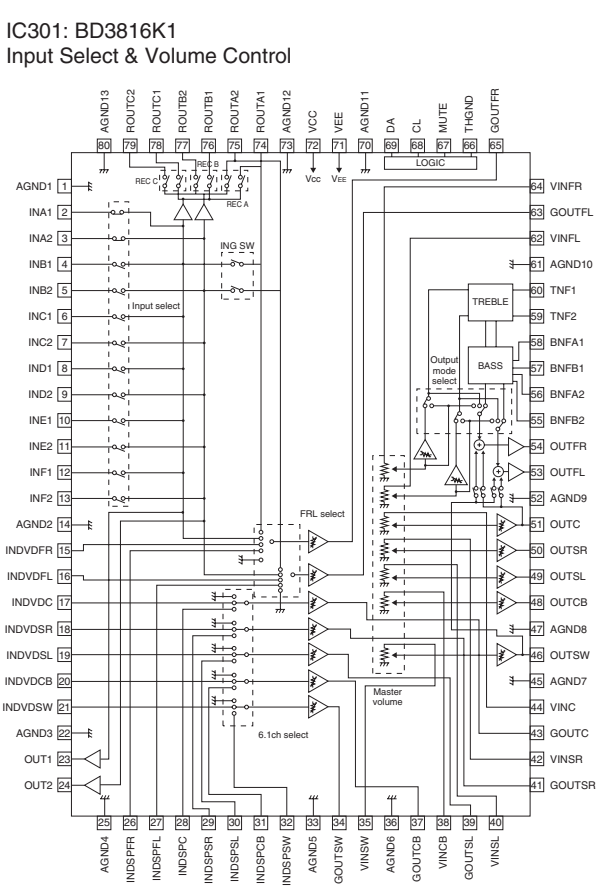
REMARKS	PARTS NAME
NO MARK	ELECTROLYTIC CAPACITOR
⊗	TANTALUM CAPACITOR
NO MARK	CERAMIC CAPACITOR
○	CERAMIC TUBULAR CAPACITOR
⊖	POLYESTER FILM CAPACITOR
⊕	POLYSTYRENE FILM CAPACITOR
⊗	MICA CAPACITOR
⊙	POLYPROPYLENE FILM CAPACITOR
⊚	SEMICONDUCTIVE CERAMIC CAPACITOR



Page 80 [H8]
to OPERATION (1)

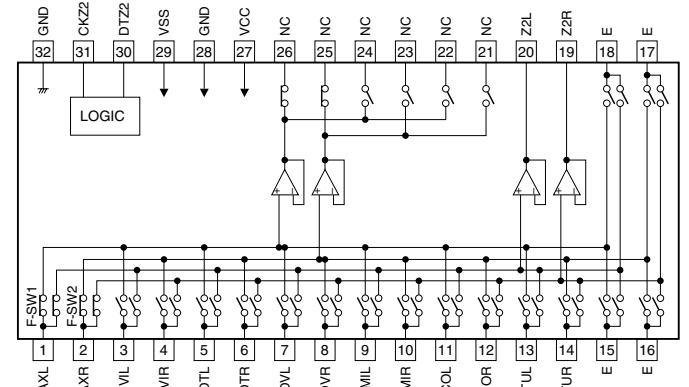
Page 83 [A1]
to POWER (1)

Page 83 [A2]
to POWER (1)



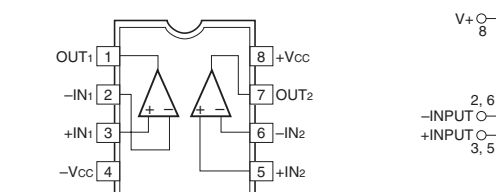
IC302: BD3841FS

Function Switch



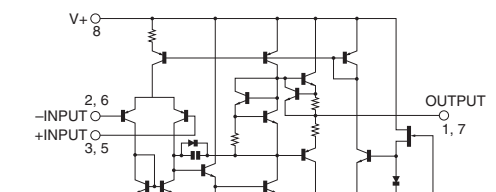
IC303, 304, 306: NJM2068MD

Dual OP-Amp.



IC305: NJM4556AL

Dual OP-Amp



★ All voltages are measured with a 10MΩ/V DC electronic volt meter.
★ Components having special characteristics are marked △, and must be replaced with parts having specifications equal to those originally installed.
★ Schematic diagram is subject to change without notice.

★ 電圧は、内部抵抗10MΩの電圧計で測定したものです。
★ △印のある部品は、安全性確保部品を示しています。部品の交換が必要な場合、パーツリストに記載されている部品を使用してください。
★ 本回路図は標準回路図です。改良のため予告なく変更することがございます。

F-SW1: INPUT FUNCTION 1
F-SW2: INPUT FUNCTION 2

SCHEMATIC DIAGRAM (FUNCTION 2/2) RX-V550

RX-V550/HTR-5750/RX-V450/HTR-5740/DSP-AX450

RESISTOR		CAPACITOR	
REMARKS	PARTS NAME	REMARKS	PARTS NAME
NO MARK	CARBON FILM RESISTOR (D=5)	NO MARK	ELECTROLYTIC CAPACITOR
△	CARBON FILM RESISTOR (D=10)	○	TANTALUM CAPACITOR
□	METAL FILM RESISTOR	NO MARK	CERAMIC CAPACITOR
◇	METAL OXIDE FILM RESISTOR	○	CERAMIC TUBULAR CAPACITOR
▽	FIRE-PROOF CARBON FILM RESISTOR	○	POLYESTER FILM CAPACITOR
■	CEMENT MOLDED RESISTOR	○	POLYSTYRENE FILM CAPACITOR
○	SEMI-VARIABLE RESISTOR	○	MICA CAPACITOR
□	CHIP RESISTOR	○	POLYPROPYLENE FILM CAPACITOR
		○	SEMICONDUCTIVE CERAMIC CAPACITOR
		○	CHIP RESISTOR

Mark	Reference Parts Number	Parts Name
411	IC607-608	TK15420M1
412	IC609	TC74HC4047
413	IC603-606-701	TC74HC4053AF
414	Q502-Q506	2SA1037AF(D/P/S)
415	Q701	2SC2412G(D/P/S)
416	D481-483-501-503-511	1S5355
417	Q482-509	2SC1484CA
418	Q614	2SA10125(V)
419	Q508-601-608-610-612	2SC17405(B/S)
420	Q507	2SC3311A(S/S)
421	Q507	2SC3311A(S/S)

NOTICE (mode)
 (J) JAPAN
 (U) U.S.A.
 (C) CANADA
 (R) GENERAL
 (T) CHINA
 (K) KOREA
 (A) AUSTRALIA
 (B) BRITISH
 (G) EUROPE
 (L) SINGAPORE
 (E) SOUTH EUROPE

Tuner / VIDEO

U-C	R	T	X	A	B-G-E	L
416	R549					
417	R553					
418	R552					
419	R555					
420	R561					
421	R562					
422	R563					
423	R564					
424	R565					
425	R566					
426	R567					
427	R568					
428	R569					
429	R570					
430	R571					
431	R572					
432	R573					
433	R574					
434	R575					
435	R576					
436	R577					
437	R578					
438	R579					
439	R580					
440	R581					
441	R582					
442	R583					
443	R584					
444	R585					
445	R586					
446	R587					
447	R588					
448	R589					
449	R590					
450	R591					
451	R592					
452	R593					
453	R594					
454	R595					
455	R596					
456	R597					
457	R598					
458	R599					
459	R600					
460	R601					
461	R602					
462	R603					
463	R604					
464	R605					
465	R606					
466	R607					
467	R608					
468	R609					
469	R610					
470	R611					
471	R612					
472	R613					
473	R614					
474	R615					
475	R616					
476	R617					
477	R618					
478	R619					
479	R620					
480	R621					
481	R622					
482	R623					
483	R624					
484	R625					
485	R626					
486	R627					
487	R628					
488	R629					
489	R630					
490	R631					
491	R632					
492	R633					
493	R634					
494	R635					
495	R636					
496	R637					
497	R638					
498	R639					
499	R640					
500	R641					
501	R642					
502	R643					
503	R644					
504	R645					
505	R646					
506	R647					
507	R648					
508	R649					
509	R650					
510	R651					
511	R652					
512	R653					
513	R654					
514	R655					
515	R656					
516	R657					
517	R658					
518	R659					
519	R660					
520	R661					
521	R662					
522	R663					
523	R664					
524	R665					
525	R666					
526	R667					
527	R668					
528	R669					
529	R670					
530	R671					
531	R672					
532	R673					
533	R674					
534	R675					
535	R676					
536	R677					
537	R678					
538	R679					
539	R680					
540	R681					
541	R682					
542	R683					
543	R684					
544	R685					
545	R686					
546	R687					
547	R688					
548	R689					
549	R690					
550	R691					
551	R692					
552	R693					
553	R694					
554	R695					
555	R696					
556	R697					
557	R698					
558	R699					
559	R700					
560	R701					
561	R702					
562	R703					
563	R704					
564	R705					
565	R706					
566	R707					
567	R708					
568	R709					
569	R710					
570	R711					
571	R712					
572	R713					
573	R714					
574	R715					
575	R716					
576	R717					
577	R718					
578	R719					
579	R720					
580	R721					
581	R722					
582	R723					
583	R724					
584	R725					
585	R726					
586	R727					
587	R728					
588	R729					
589	R730					
590	R731					
591	R732					
592	R733					
593	R734					
594	R735					
595	R736					
596	R737					
597	R738					
598	R739					
599	R740					
600	R741					
601	R742					
602	R743					
603	R744					
604	R745					
605	R746					
606	R747					
607	R748					
608	R749					
609	R750					
610	R751					
611	R752					
612	R753					
613	R754					
614	R755					
615	R756					
616	R757					
617	R758					
618	R759					
619	R760					
620	R761					
621	R762					
622	R763					
623	R764					
624	R765					
625	R766					
626	R767					
627	R768					
628	R769					
629	R770					
630	R771					
631	R772					

Interchangeable Parts at Manufacture-Stage

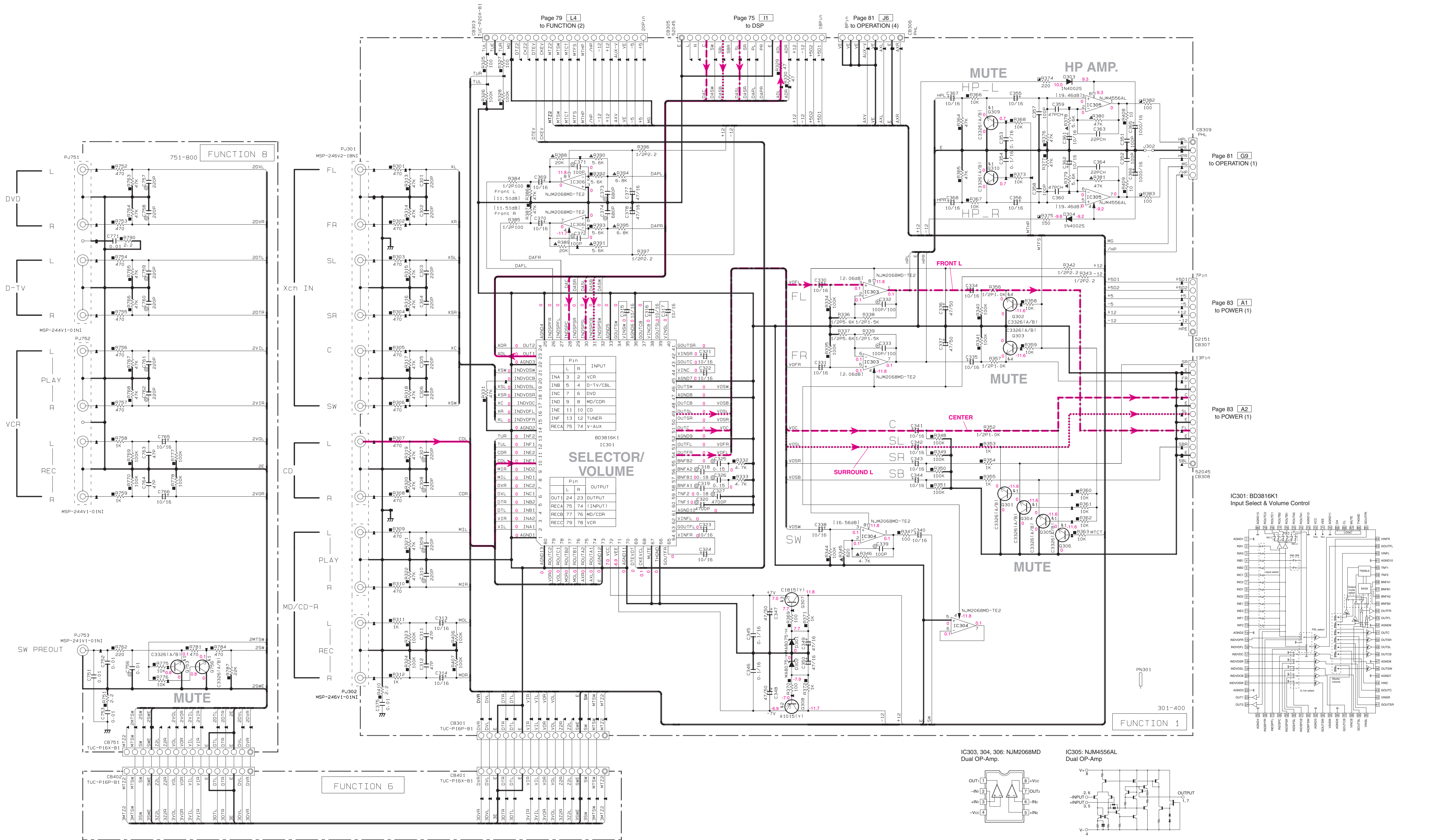
Mark	Reference Parts Number	Parts Name
⊠	0301-306, 309, 310, 753, 756	2SC3326(A/B) 2SC3274(A) 2SC3326(B) 2SC9938(A/B)
⊡	0308	2SA1015(V) KTA1266
⊢	0307	2SC1815(V) KTC3198

RESISTOR

REMARKS	PARTS NAME
NO MARK	CARBON FILM RESISTOR (P=5)
⊠	CARBON FILM RESISTOR (P=10)
⊡	METAL OXIDE FILM RESISTOR
⊢	METAL FILM RESISTOR
⊣	METAL PLATE RESISTOR
⊤	FIRE PROOF CARBON FILM RESISTOR
⊥	CEMENT MOLDED RESISTOR
⊦	SEMI VARIABLE RESISTOR
⊧	CHIP RESISTOR

CAPACITOR

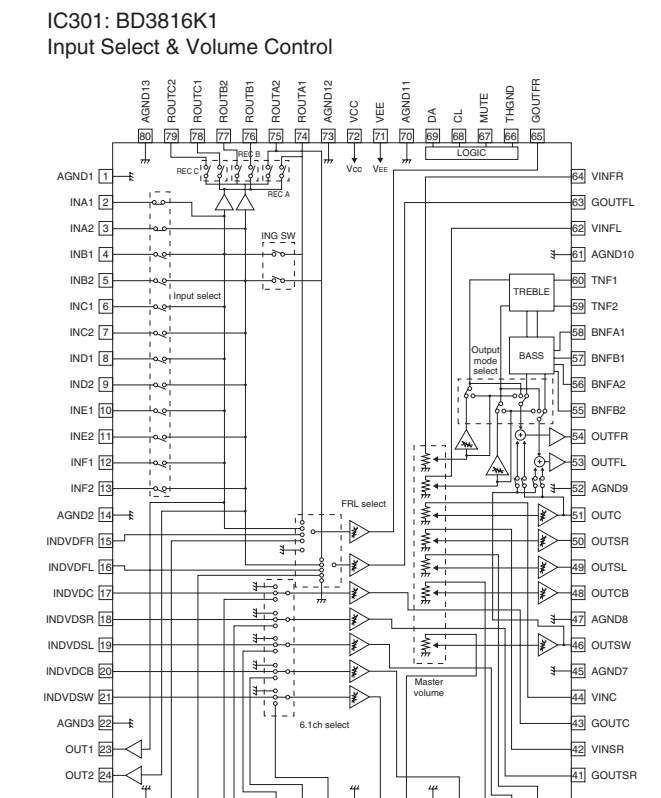
REMARKS	PARTS NAME
NO MARK	ELECTROLYTIC CAPACITOR
⊠	TANTALUM CAPACITOR
NO MARK	CERAMIC CAPACITOR
⊡	CERAMIC TUBULAR CAPACITOR
⊢	POLYESTER FILM CAPACITOR
⊣	POLYSTYRENE FILM CAPACITOR
⊤	MICA CAPACITOR
⊥	POLYPROPYLENE FILM CAPACITOR
⊦	SEMICONDUCTIVE CERAMIC CAPACITOR



Page 81 [G9] to OPERATION (1)

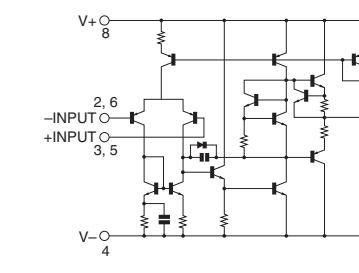
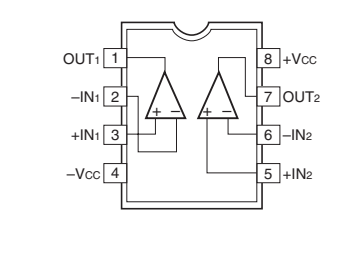
Page 83 [A1] to POWER (1)

Page 83 [A2] to POWER (1)



IC303, 304, 306: NJM2068MD Dual OP-Amp.

IC305: NJM4556AL Dual OP-Amp.



★ All voltages are measured with a 10MΩ/V DC electronic volt meter.
 ★ Components having special characteristics are marked ⊠, and must be replaced with parts having specifications equal to those originally installed.
 ★ Schematic diagram is subject to change without notice.

★ 電圧は、内部抵抗10MΩの電圧計で測定したものです。
 ★ ⊠印のある部品は、安全性確保部品を示しています。部品の交換が必要な場合、パーツリストに記載されている部品を使用してください。
 ★ 本回路図は標準回路図です。改良のため予告なく変更することがございます。

REMARKS	PARTS NAME	CAPACITOR	PARTS NAME
NO MARK	CARBON FILM RESISTOR (D=H)	NO MARK	ELECTROLYTIC CAPACITOR
△	CARBON FILM RESISTOR (D>10)	△	TANTALUM CAPACITOR
□	METAL OXIDE FILM RESISTOR	○	CERAMIC CAPACITOR
◇	METAL FILM RESISTOR	○	CERAMIC TUBULAR CAPACITOR
◇	METAL PLATE RESISTOR	○	POLYESTER FILM CAPACITOR
◇	FIRE-PROOF CARBON FILM RESISTOR	○	POLYETHYLENE FILM CAPACITOR
□	CEMENT MOLDED RESISTOR	○	MICA CAPACITOR
○	SEMI-VARIABLE RESISTOR	○	POLYPROPYLENE FILM CAPACITOR
■	CHIP RESISTOR	○	SEMICONDUCTIVE CERAMIC CAPACITOR

Mark	Reference Parts Number	Parts Name
411	IC007-608	TK15420M/L
412	IC009	TC74HC4046EL
413	IC701-603-608	TC74HC4053AF
414	0500-504-906	MP64C4053JX
415	0701	05C2412M/R/S1
416	0501-503-511-601-604	050601A1G/R/S1
417	0509	05C14484X
418	0614	05A10195V1
419	0508-601-608-610-612	050174051R/S1
420	0507	05C13141S/R/S1
421		K7C3198

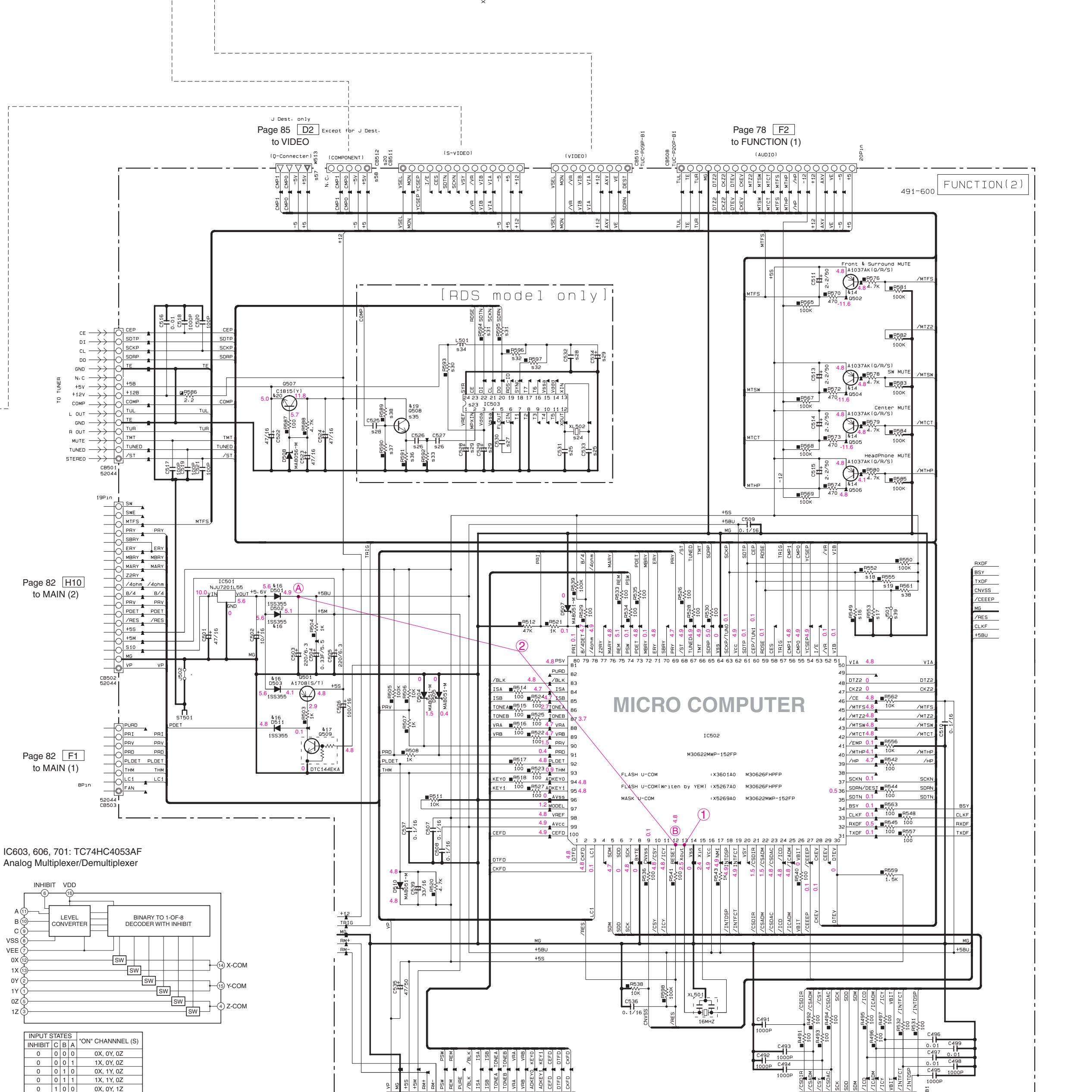
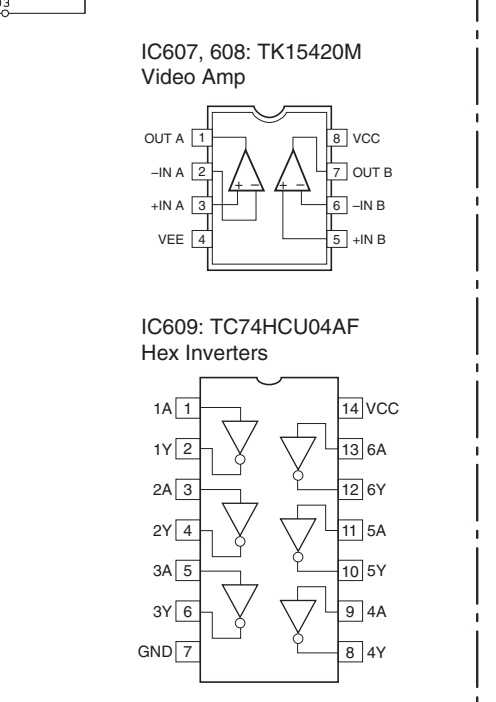
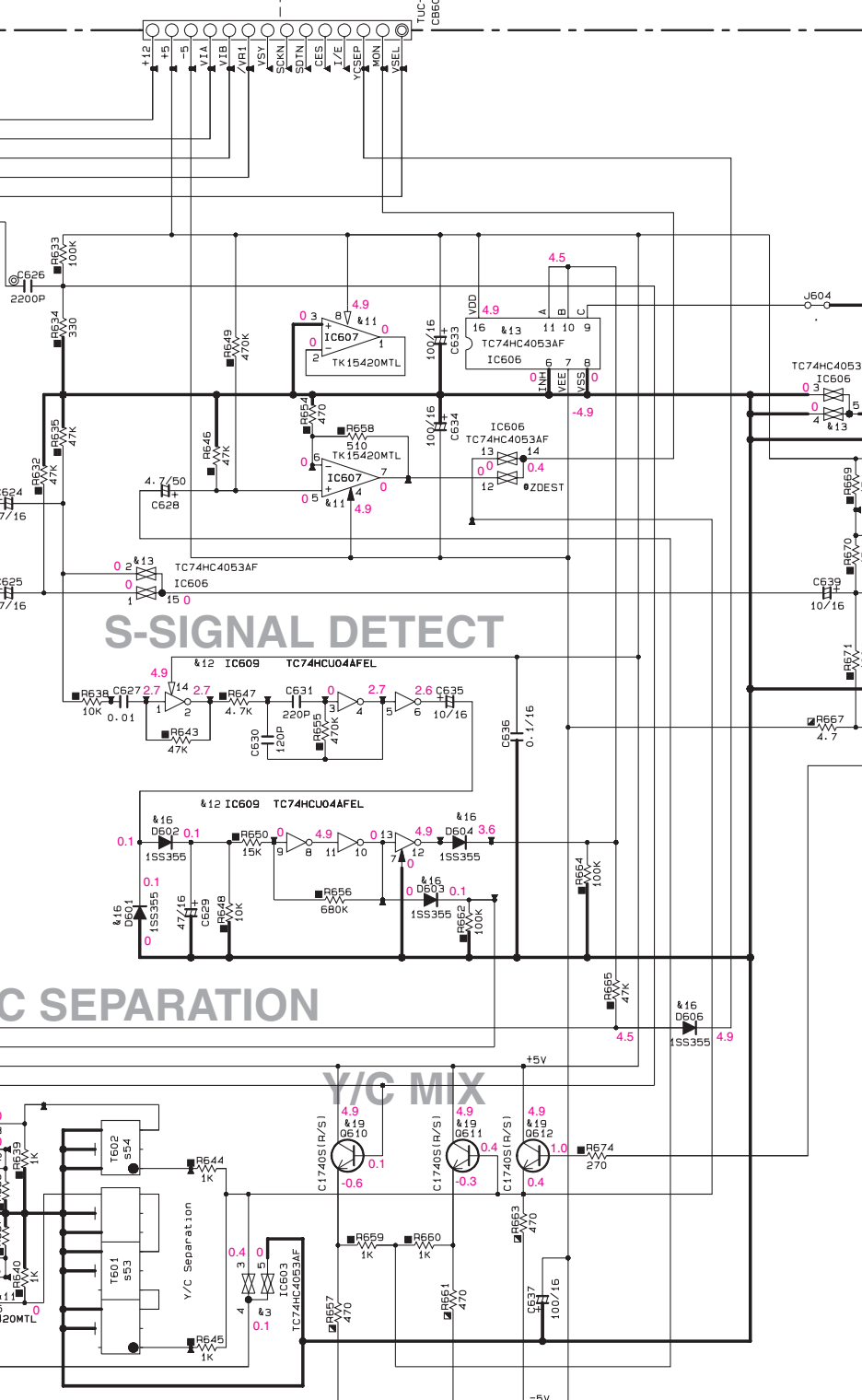
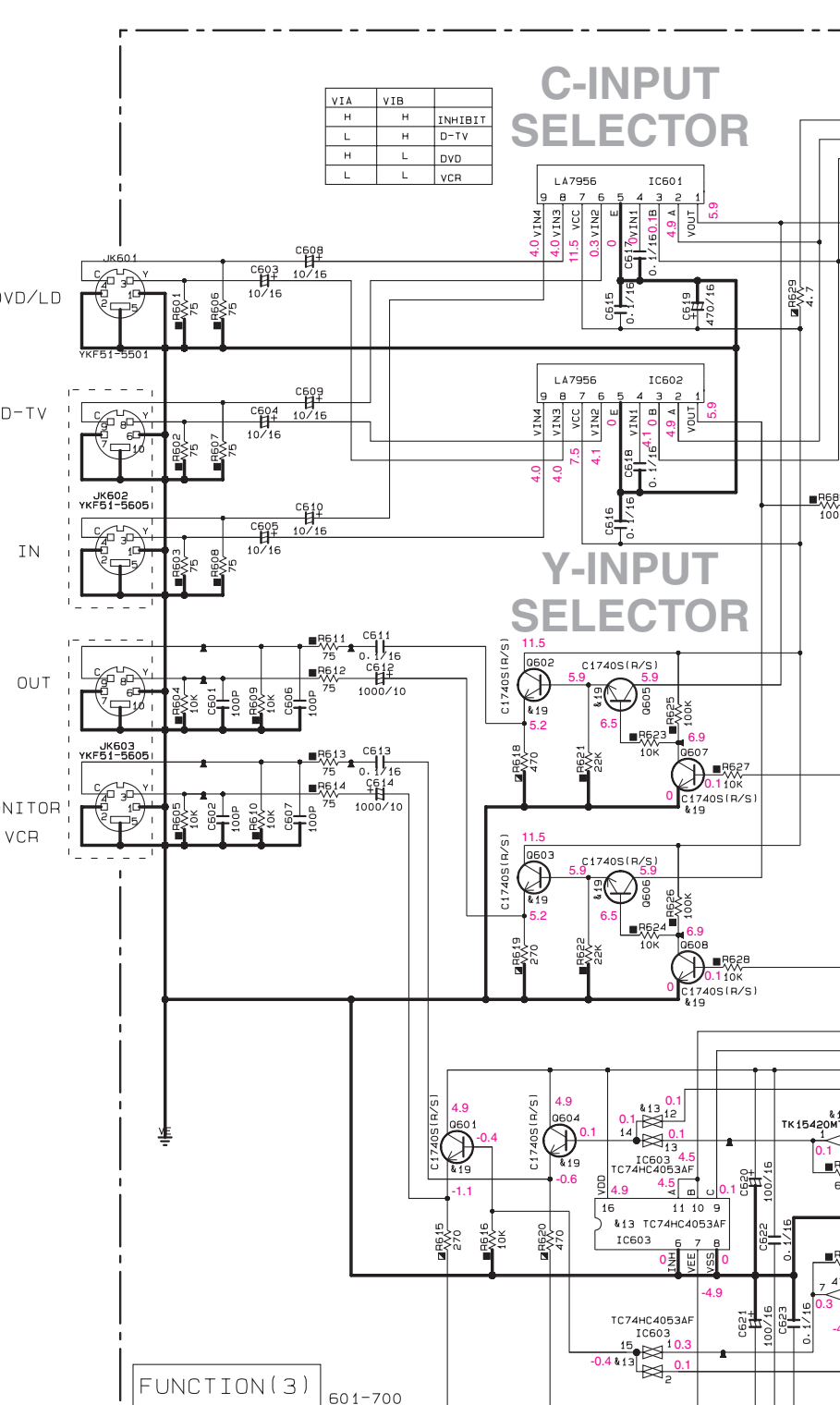
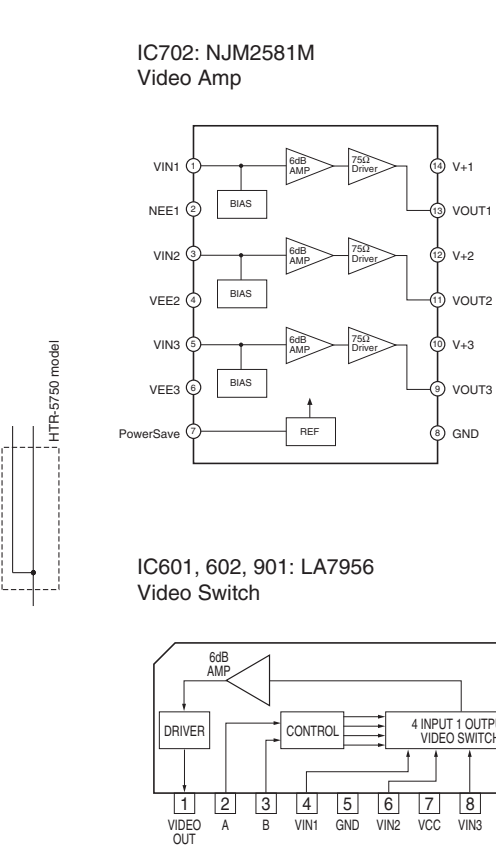
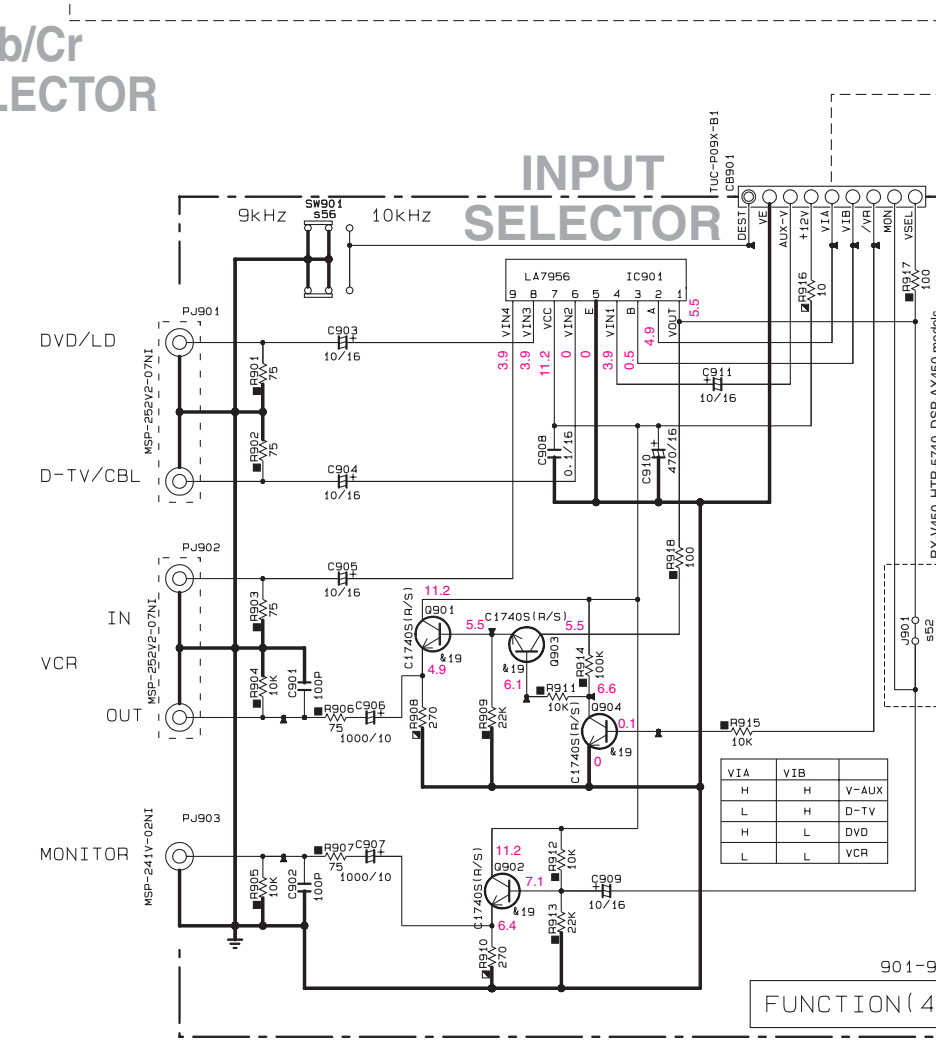
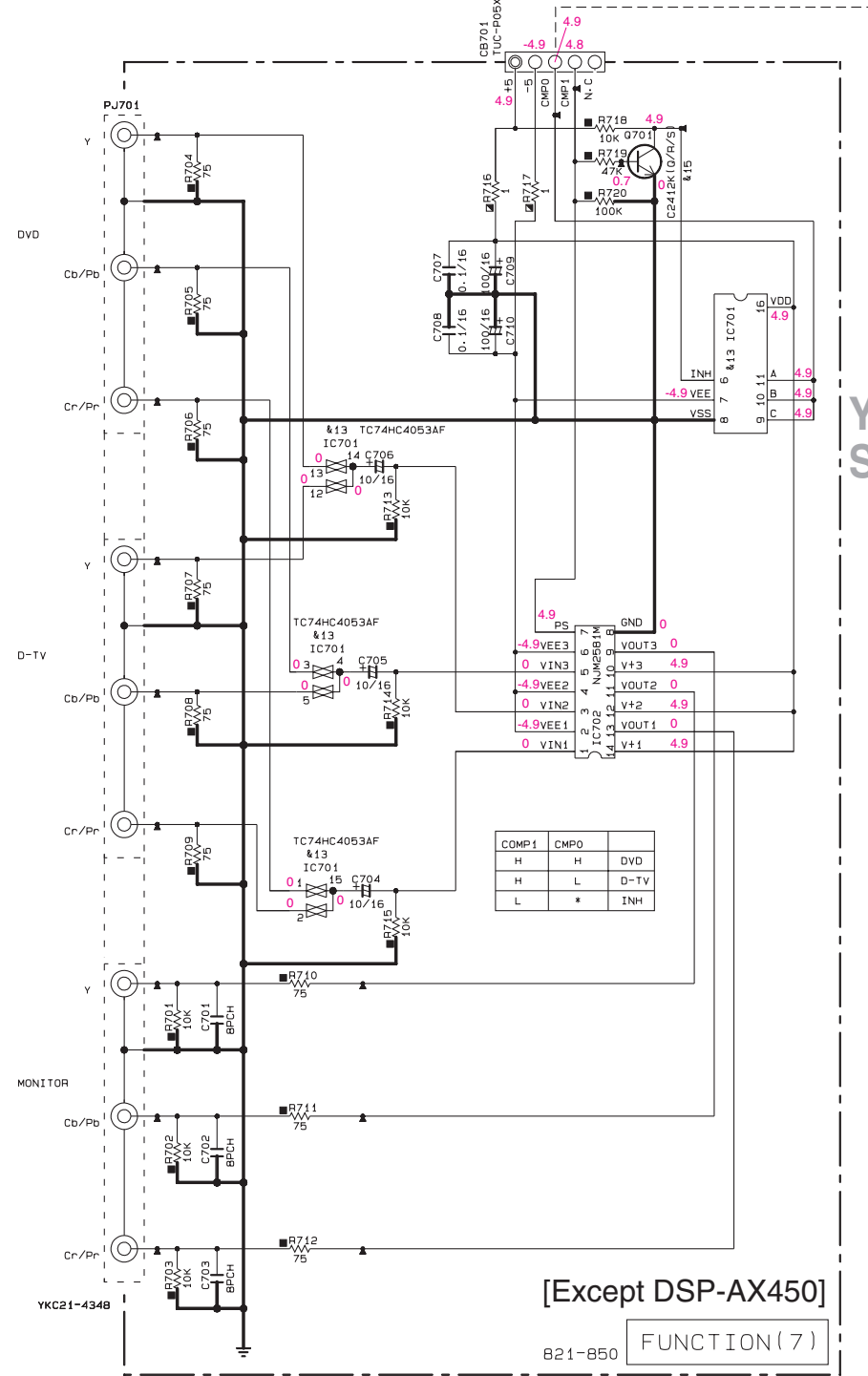
NOTICE (model)
 (J)..... JAPAN
 (U)..... U.S.A.
 (C)..... CANADA
 (R)..... GENERAL
 (T)..... CHINA
 (K)..... KOREA
 (A)..... AUSTRALIA
 (B)..... BRITISH
 (G)..... EUROPE
 (L)..... SINGAPORE
 (E)..... SOUTH EUROPE

Tuner / VIDEO

HTR-5750	UC	T	K	A	B-G-E
416 RS49	100K	X	X	100K	100K
417 RS53	100K	RD36810	RD36810	RD36810	RD36810
418 RS52	100K	RD36810	X	X	X
419 RS55	X	100K	100K	100K	100K
420 CB511	X	X	X	X	X
426 SW901	X	X	X	X	X
427 WS13	X	X	X	X	X
428 CB512	V782500	V782550	V782550	V782550	
432 T601	WC71660	WC71670	WC71680	WC71670	
434 T602	WC71660	WC71680	WC71680	WC71670	

RDS

RX-V450/HTR-5740/DSP-AX450	J	U-C	R-L	T	K	A	B-G-E
416 RS49	100K	X	X	100K	100K	100K	100K
417 RS53	100K	RD36810	RD36810	RD36810	RD36810	RD36810	RD36810
418 RS52	100K	RD36810	X	X	X	X	X
419 RS55	X	100K	100K	100K	100K	100K	100K
420 CB511	V78240	X	X	X	X	X	X
426 SW901	X	PROG4MB	X	X	X	X	X
427 WS13	MF40412	X	X	X	X	X	X
428 CB512	V782500	V782550	V782550	V782550	V782550	V782550	
432 T601	X	O	O	O	O	O	O
434 T602	WC71660	X	X	X	X	X	X
434 T602	WC71680	X	X	X	X	X	X



* All voltages are measured with a 10MΩV DC electronic voltmeter.
 * Components having special characteristics are marked !, and must be replaced with parts having specifications equal to those originally installed.
 * Schematic diagram is subject to change without notice.

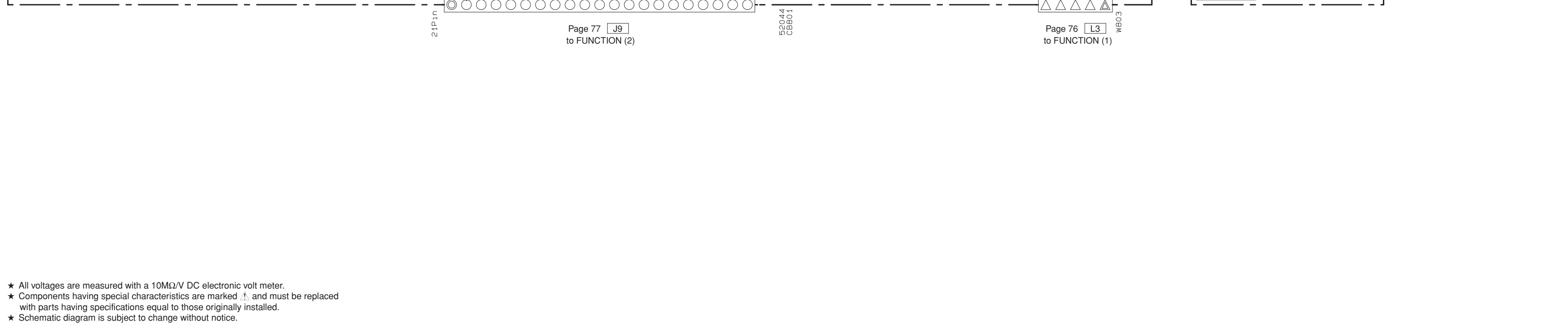
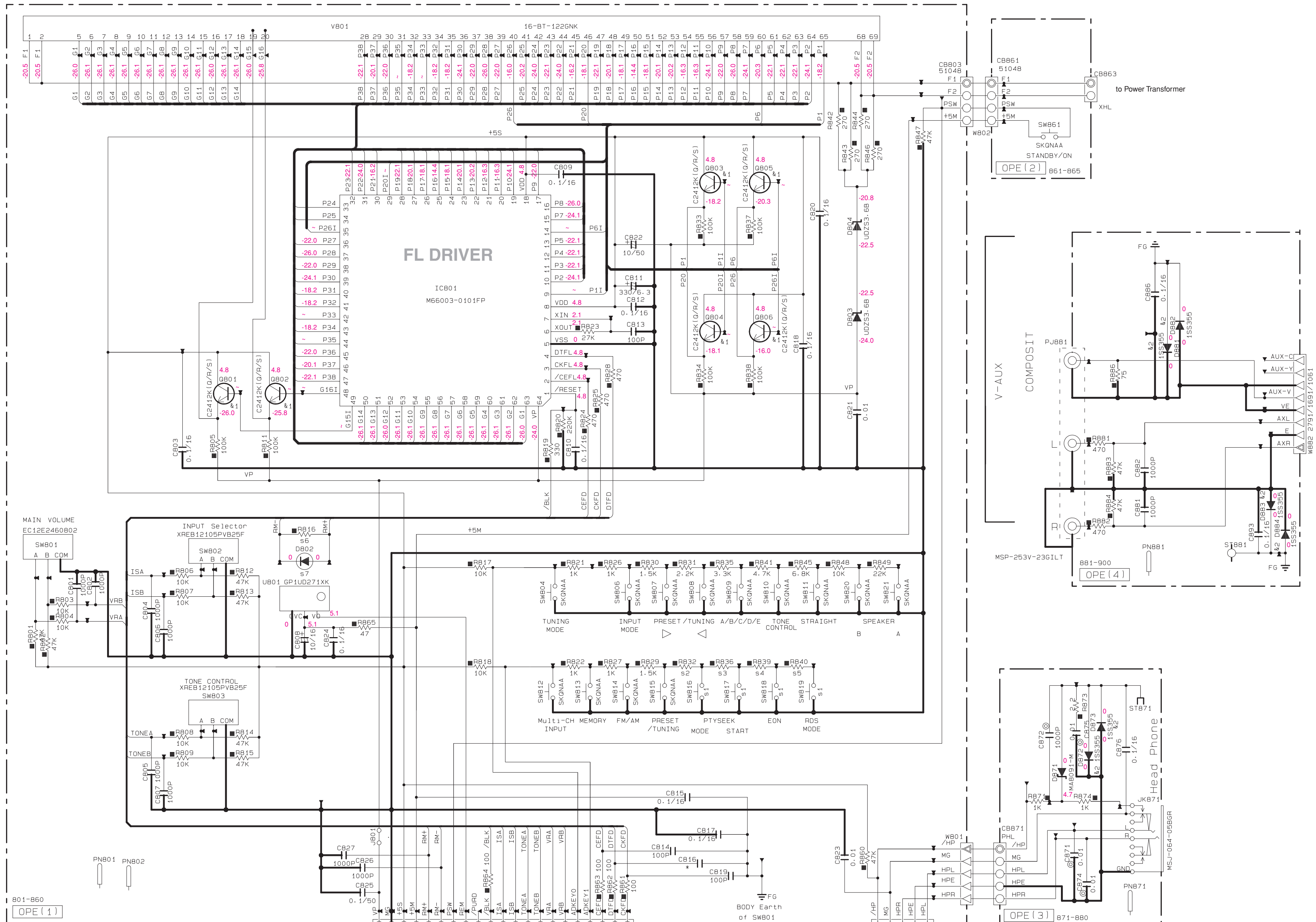
* 電圧は、内部抵抗10MΩの電圧計で測定したものです。
 * !印のある部品は、安全性確保部品を示しています。部品の交換が必要な場合、パーツリストに記載されている部品を使用してください。
 * 本回路図は標準回路図です。改良のため予告なく変更することがございます。

INPUT STATES	INHIBIT (C)	DATA (A)	DATA (B)	DATA (S)
0 0 0 0	0X	0Y	0Z	
0 0 0 1	1X	0Y	0Z	
0 0 1 0	0X	1Y	0Z	
0 0 1 1	1X	1Y	0Z	
0 1 0 0	0X	0Y	1Z	
0 1 0 1	1X	0Y	1Z	
0 1 1 0	0X	1Y	1Z	
0 1 1 1	1X	1Y	1Z	
1 1 1 1	1X	1Y	1Z	
1 1 1 X				NONE

SCHEMATIC DIAGRAM (OPERATION) RX-V550

FL DISPLAY

FL DRIVER



CAPACITOR

REMARKS	PARTS NAME	
NO MARK	ELECTROLYTIC CAPACITOR	⊘
⊗	TANTALUM CAPACITOR	⊗
NO MARK	CERAMIC CAPACITOR	○
●	CERAMIC TUBULAR CAPACITOR	●
⊙	POLYESTER FILM CAPACITOR	⊙
○	POLYSTYRENE FILM CAPACITOR	○
○	MICA CAPACITOR	○
⊕	POLYPROPYLENE FILM CAPACITOR	⊕
⊖	SEMICONDUCTIVE CERAMIC CAPACITOR	⊖
⊙	POLYPHENYLENE SULFIDE FILM CAPACITOR	⊙

RESISTOR

REMARKS	PARTS NAME	
NO MARK	CARBON FILM RESISTOR (P=5)	□
□	CARBON FILM RESISTOR (P=10)	□
△	METAL OXIDE FILM RESISTOR	△
△	METAL FILM RESISTOR	△
⊗	METAL PLATE RESISTOR	⊗
⊗	FIRE PROOF CARBON FILM RESISTOR	⊗
□	CEMENT MOLDED RESISTOR	□
⊗	SEMI VARIABLE RESISTOR	⊗
⊖	CHIP RESISTOR	⊖

		R-T-K-L	U-C-A	B-G-E	
s1	SW816 - 819	X	X		VV02030
s2	R832	X	X		2.2K RD35622
s3	R836	X	X		3.3K RD35633
s4	R839	X	X		4.7K RD35647
s5	R840	X	X		6.8K RD35668
s6	R816	X			10K RD35710
s7	DB02	X			SIR-505ST V259820

x: NOT USED
o: USED / APPLICABLE

Interchangeable Parts at Manufacture-Stage

Mark	Reference Parts Number	Parts Name
⊗1	0801-806	25C2412K10/R/S 25D601A10/R/S
⊗2	0872-873-881-884	1SS355 MA111
⊗3		
⊗4		
⊗5		
⊗6		
⊗7		

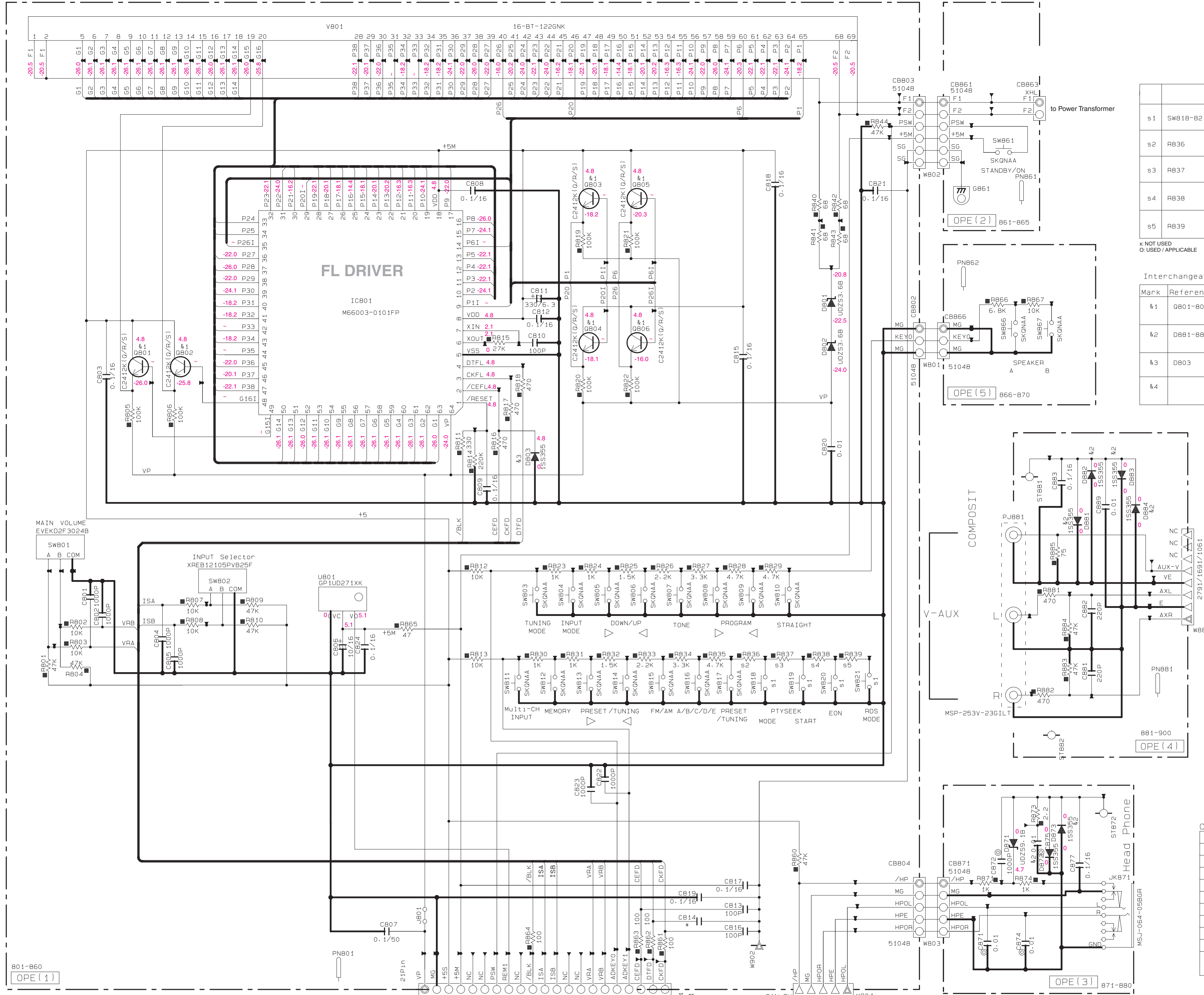
NOTICE (model)

(J)..... JAPAN
(U)..... U. S. A
(C)..... CANADA
(R)..... GENERAL
(T)..... CHINA
(K)..... KOREA
(A)..... AUSTRALIA
(B)..... BRITISH
(G)..... EUROPE
(L)..... SINGAPORE
(E)..... SOUTH EUROPE

* All voltages are measured with a 10MQ/V DC electronic volt meter.
* Components having special characteristics are marked with a triangle and must be replaced with parts having specifications equal to those originally installed.
* Schematic diagram is subject to change without notice.

* 電圧は、内部抵抗10MQの電圧計で測定したものです。
* 三角形印のある部品は、安全性確保部品を示しています。部品の交換が必要な場合、パーツリストに記載されている部品を使用してください。
* 本回路図は標準回路図です。改良のため予告なく変更することがございます。

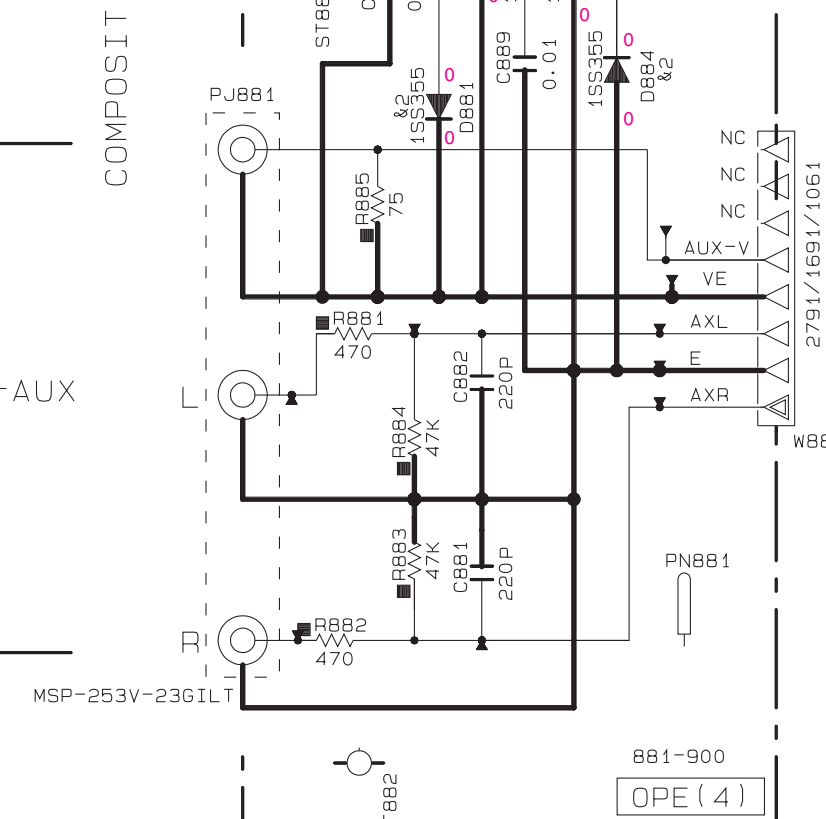
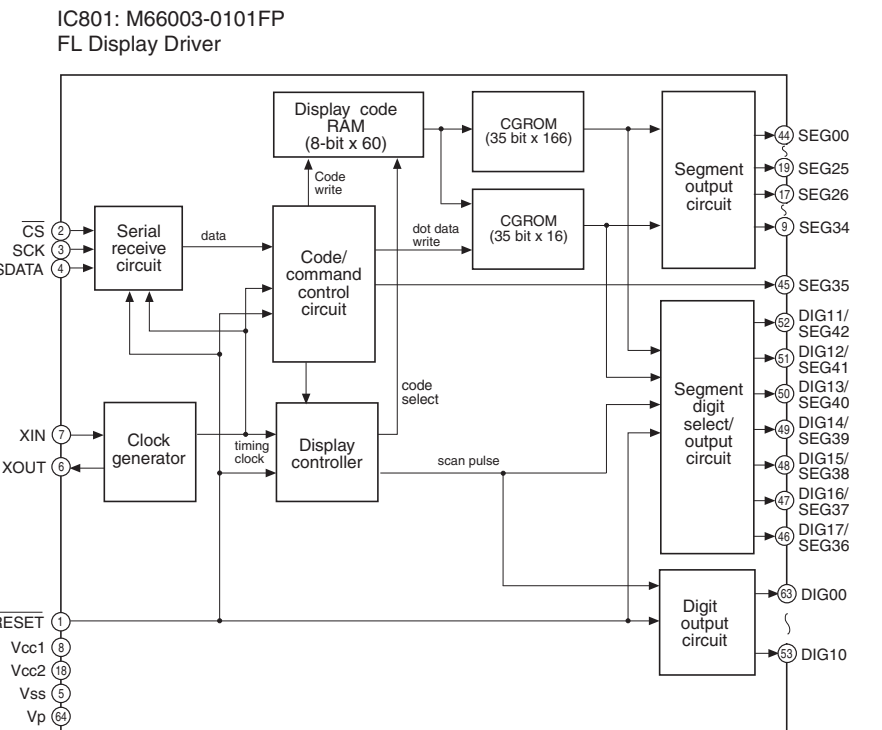
FL DISPLAY



	J. U. C. R. T. K. A. L.	B. G. E.	
S1	SWB18-B21	X	VV02030
S2	RB36	X	RD35647
S3	RB37	X	RD35668
S4	RB38	X	RD35710
S5	RB39	X	RD35722

Interchangeable Parts at Manufacture-Stage

Mark	Reference Parts Number	Parts Name
&1	Q801-806	2SC2412K10/R/S1 2SD601A(TX)10/R/S
&2	D881-884, 872, 873	1SS355
&3	D803	MA111
&4		MA111



NOTICE (mode1)
 (J)..... JAPAN
 (U)..... U. S. A
 (C)..... CANADA
 (R)..... GENERAL
 (T)..... CHINA
 (K)..... KOREA
 (A)..... AUSTRALIA
 (B)..... BRITISH
 (L)..... EUROPE
 (G)..... SINGAPORE
 (E)..... SOUTH EUROPE

RESISTOR

REMARKS	PARTS NAME
NO MARK	CARBON FILM RESISTOR (P=5)
□	CARBON FILM RESISTOR (P=10)
△	METAL OXIDE FILM RESISTOR
▲	METAL FILM RESISTOR
⊠	METAL PLATE RESISTOR
■	FIRE PROOF CARBON FILM RESISTOR
□	CEMENT MOLDED RESISTOR
⊖	SEMI VARIABLE RESISTOR
■	CHIP RESISTOR

CAPACITOR

REMARKS	PARTS NAME
NO MARK	ELECTROLYTIC CAPACITOR
⊗	TANTALUM CAPACITOR
NO MARK	CERAMIC CAPACITOR
●	CERAMIC TUBULAR CAPACITOR
⊙	POLYESTER FILM CAPACITOR
○	POLYSTYRENE FILM CAPACITOR
⊖	MICA CAPACITOR
⊕	POLYPROPYLENE FILM CAPACITOR
⊗	SEMICONDUCTIVE CERAMIC CAPACITOR
⊙	POLYPHENYLENE SULFIDE FILM CAPACITOR

* All voltages are measured with a 10MΩ/V DC electronic volt meter.
 * Components having special characteristics are marked ♯, and must be replaced with parts having specifications equal to those originally installed.
 * Schematic diagram is subject to change without notice.

* 電圧は、内部抵抗10MΩの電圧計で測定したものです。
 * ♯印のある部品は、安全性確保部品を示しています。部品の交換が必要な場合、パーツリストに記載されている部品を使用してください。
 * 本回路図は標準回路図です。改良のため予告なく変更することがございます。

SCHEMATIC DIAGRAM (MAIN)

Page 83 [F10] to POWER (1)

Page 83 [E10] to POWER (1)

Page 83 [E10] to POWER (1)

RX-V550: Page 77 [H7]
HTR-5750, RX-V450, HTR-5740,
DSP-AX450: Page 79 [H6]
to FUNCTION (2)

Page 83 [K3] to POWER (1)

Page 84 [A4] to SUBTRANS

RX-V550: Page 77 [H6]
HTR-5750, RX-V450, HTR-5740,
DSP-AX450: Page 79 [H7]
to FUNCTION (2)

RESISTOR		CAPACITOR	
REMARKS	PARTS NAME	REMARKS	PARTS NAME
NO MARK	CARBON FILM RESISTOR (P-K)	NO MARK	ELECTROLYTIC CAPACITOR
⊖	CARBON FILM RESISTOR (P-K)	⊖	TANTALUM CAPACITOR
⊖	METAL FILM RESISTOR	⊖	CERAMIC CAPACITOR
⊖	METAL FILM RESISTOR	⊖	CERAMIC TUBULAR CAPACITOR
⊖	METAL FILM RESISTOR	⊖	POLYESTER FILM CAPACITOR
⊖	FINE PITCH CARBON FILM RESISTOR	⊖	POLYSTYRENE FILM CAPACITOR
⊖	CEMENT MOUNTED RESISTOR	⊖	MICA CAPACITOR
⊖	SEMI VARIABLE RESISTOR	⊖	POLYPROPYLENE FILM CAPACITOR
⊖	TEMP. RESISTOR	⊖	SEMICONDUCTIVE CERAMIC CAPACITOR
		⊖	POLYPHENYLENE SULFIDE FILM CAPACITOR

NOTICE (page 1)

(J)..... JAPAN
(U)..... U.S.A.
(C)..... CANADA
(R)..... GENERAL
(T)..... CHINA
(K)..... KOREA
(A)..... AUSTRALIA
(B)..... BRITISH
(G)..... EUROPE
(E)..... SINGAPORE
(E)..... SOUTH EUROPE

Interchangeable Parts at Manufacture Stage

Part No.	Interchangeable Part No.	Part Name
41	RY121-124-125	052422-051W1 66P4-28
42	D133	158203-PC1 05500
43	D1-14-251	H5334 H5333 J55176
44	D1	0581749/P1 2581661E/P1

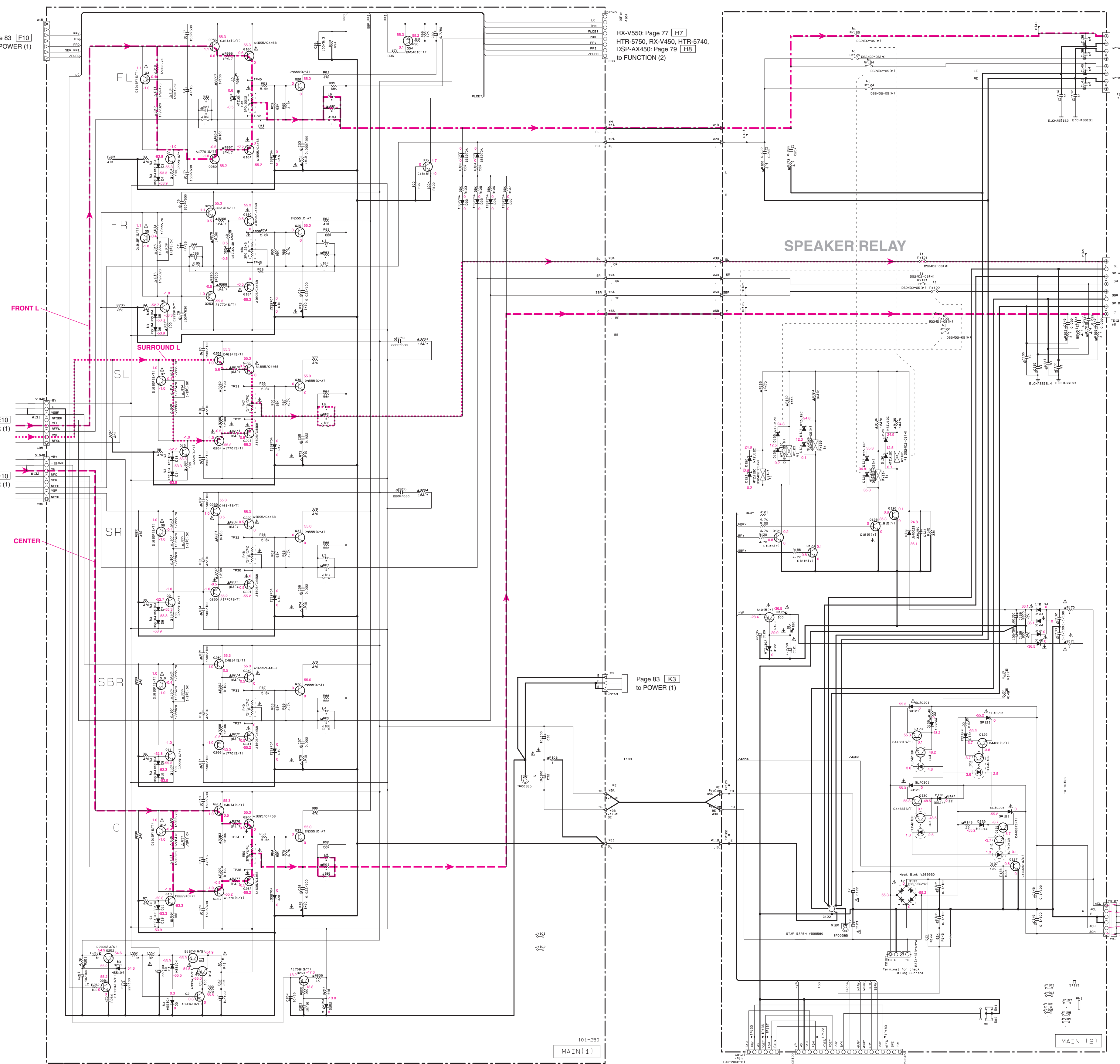
RX-V550/HTR-5750

Part No.	Interchangeable Part No.	Part Name
51	C136-131-134-137	UCC X 6.0 6.0
52	TE150-121	W03190 W03190 W03190 W03190
54	C136-141	X 430P UM5347 UM5347
56	SW1	S5029-P202MB Y06249 Y06249 S5029-P202MB
57	C132-123	820071 W03190 W03190 W03190

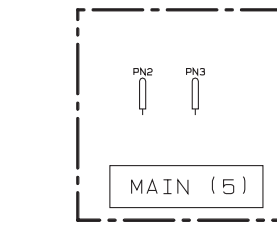
RX-V550/HTR-5740/DSP-AX450

Part No.	Interchangeable Part No.	Part Name
51	C136-131-134-137	X X 6.0 6.0
52	TE150-121	W03190 W03190 W03190 W03190
54	C136-141	X X 430P UM5347
56	SW1	X S5029-P202MB S5029-P202MB S5029-P202MB
57	C132-123	820071 W03190 W03190 W03190

X: NOT USED
O: USED / APPLICABLE

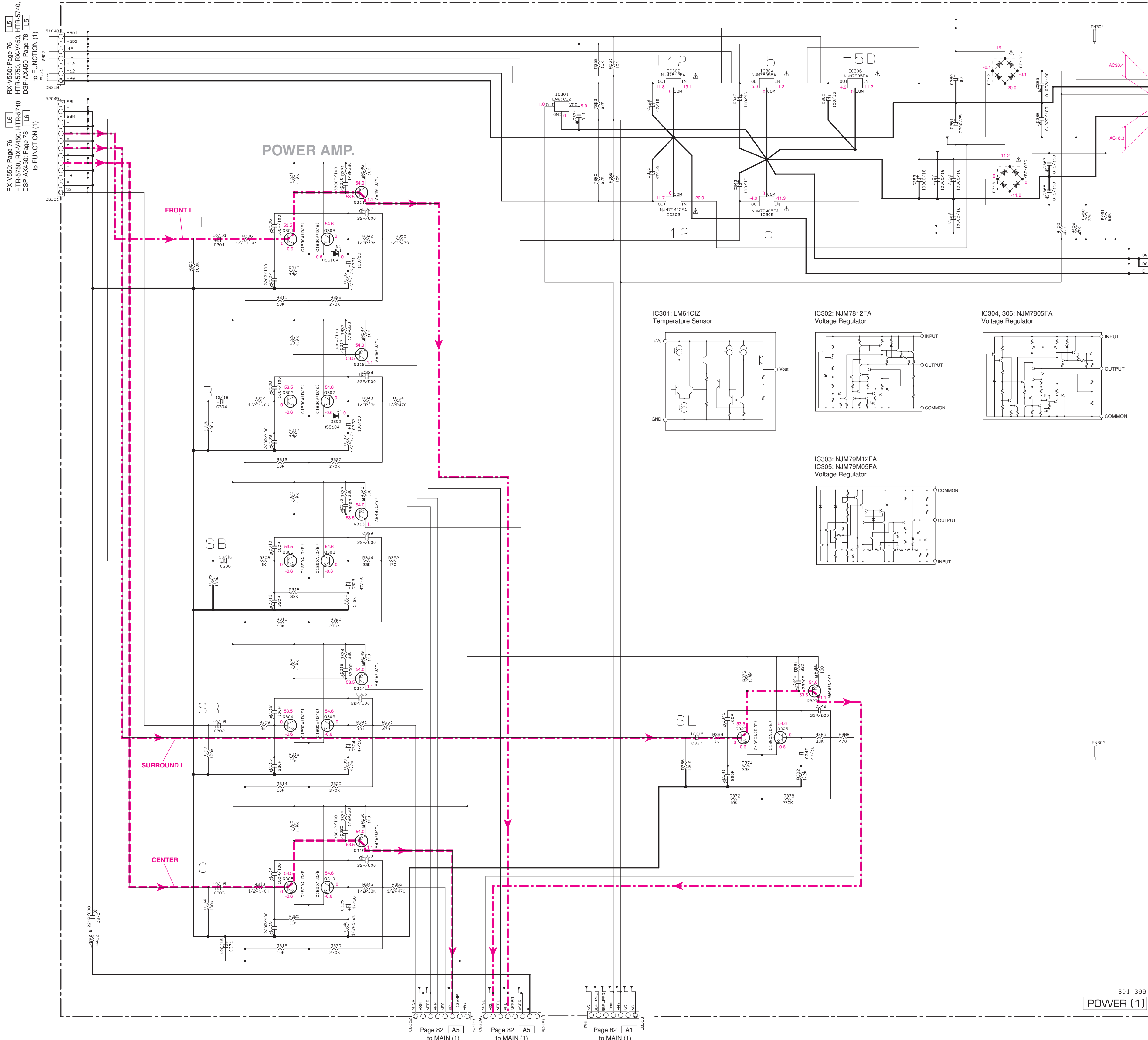


to Power Transformer



- * All voltages are measured with a 10MΩ/V DC electronic volt meter.
- * Components having special characteristics are marked with ! and must be replaced with parts having specifications equal to those originally installed.
- * Schematic diagram is subject to change without notice.
- * 電圧は、内部抵抗10MΩの電圧計で測定したものです。
- * !印のある部品は、安全性確保部品を示しています。部品の交換が必要な場合、パーツリストに記載されている部品を使用してください。
- * 本回路図は標準回路図です。改良のため予告なく変更することがございます。

SCHEMATIC DIAGRAM (POWER)



RESISTOR

REMARKS	PARTS NAME
NO MARK	CARBON FILM RESISTOR (D=5)
□	CARBON FILM RESISTOR (D=10)
△	METAL OXIDE FILM RESISTOR
⊠	METAL FILM RESISTOR
⊞	METAL PLATE RESISTOR
⊞	FIRE PROOF CARBON FILM RESISTOR
⊞	CEMENT MOUNTED RESISTOR
⊞	SEMI-VARIABLE RESISTOR
⊞	CHIP RESISTOR

Interchangeable Parts at Manufacture-Stage

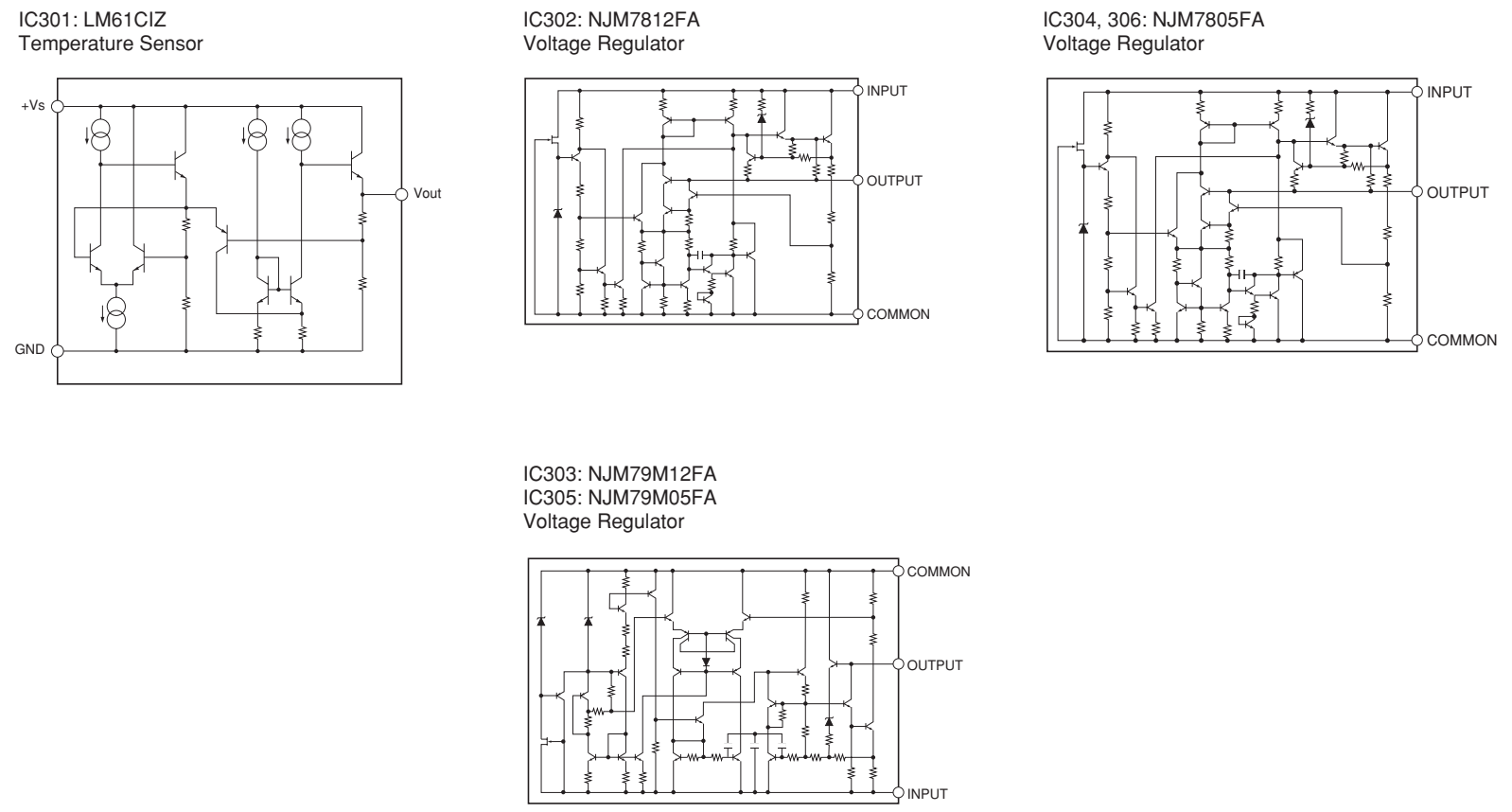
Mark	Reference Parts Number	Parts Name
41	0301-302	HSS104 15513 155176

CAPACITOR

REMARKS	PARTS NAME
⊙	ELECTROLYTIC CAPACITOR
⊙	TANTALUM CAPACITOR
NO MARK	CERAMIC CAPACITOR
⊙	CERAMIC TUBULAR CAPACITOR
⊙	POLYESTER FILM CAPACITOR
⊙	POLYETHYLENE FILM CAPACITOR
⊙	MICA CAPACITOR
⊙	POLYPROPYLENE FILM CAPACITOR
⊙	SEMICONDUCTIVE CERAMIC CAPACITOR
⊙	POLYPHENYLENE SULFIDE FILM CAPACITOR

NOTICE (mode1)

(J)..... JAPAN
 (U)..... U.S.A
 (C)..... CANADA
 (R)..... GENERAL
 (T)..... CHINA
 (K)..... KOREA
 (A)..... AUSTRALIA
 (B)..... BRITISH
 (G)..... EUROPE
 (L)..... SINGAPORE
 (E)..... SOUTH EUROPE



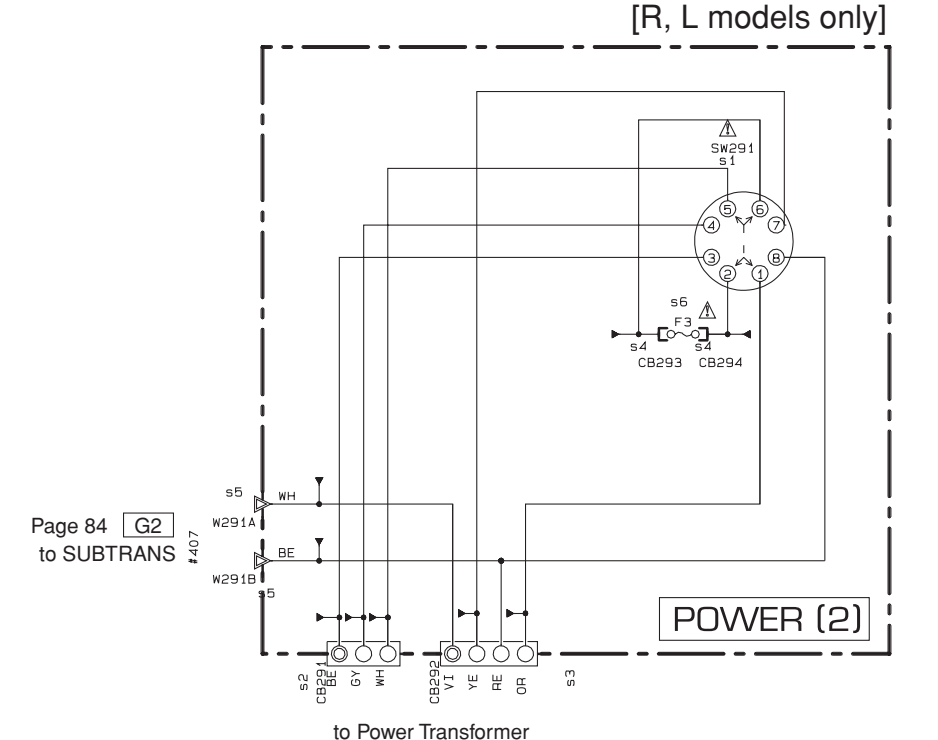
RX-550HTR5750

	U.C.T.K (WC82949)	R (WC82950)	L (WD07280)	A.B.G.E (WC82955)
s1	SW291	X	W848370	W007370
s2	CR291	X	V937780	V937780
s3	CR292	X	V937790	V937790
s4	CR293, 294	X	WC029070	WC029070
s5	W291	X	V941190	V941190
s6	F3	X	T4AL250V K800079	T4AL250V K800079
s7	C360	680025	680025	680025

RX-V450HTR-5740/DSP-AX450

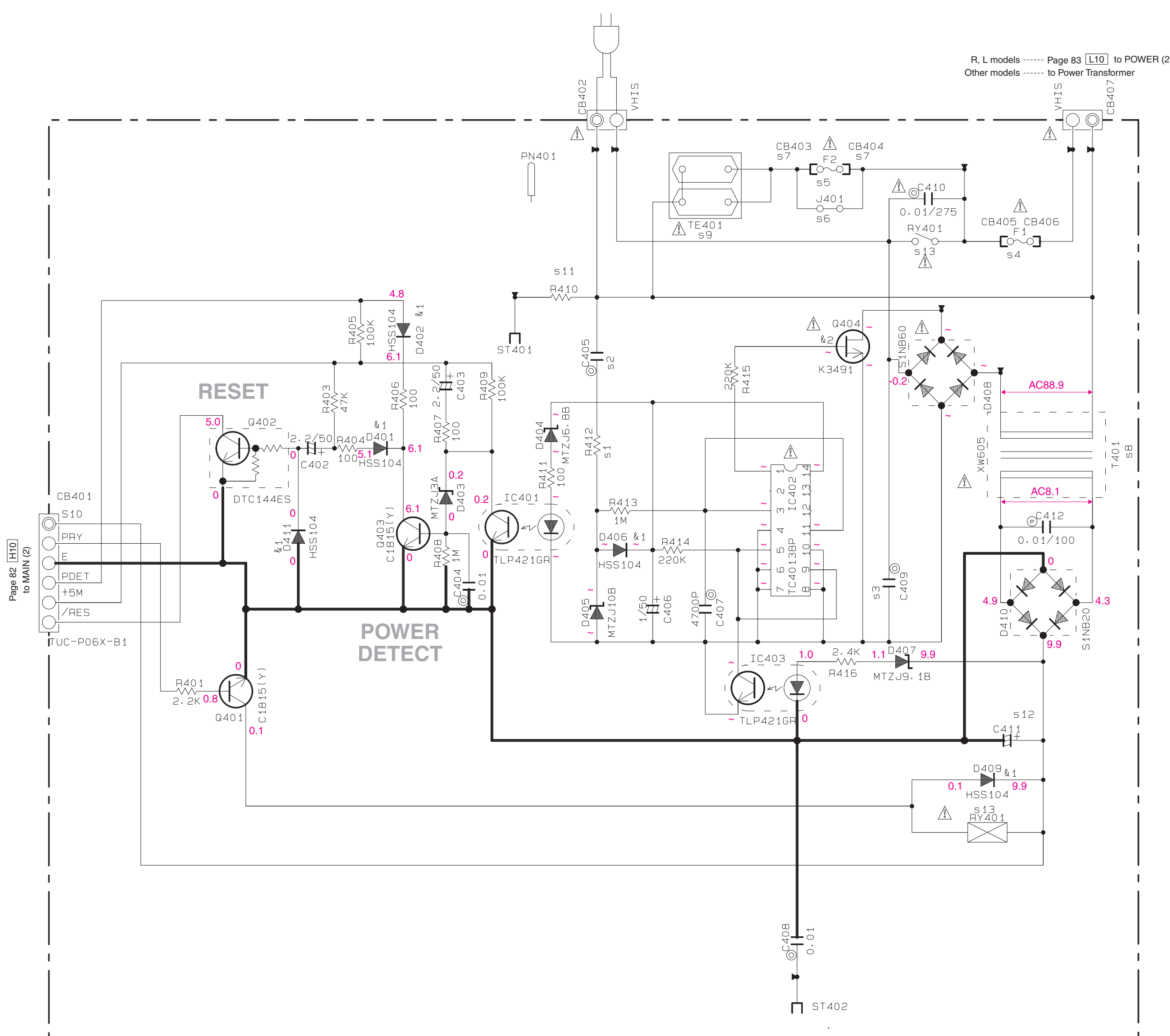
	U.C.T.K (WC83970)	R (WC83980)	L (WD07290)	A.B.G.E (WC83990)
s1	SW291	X	W848370	W007370
s2	CR291	X	V937780	V937780
s3	CR292	X	V937790	V937790
s4	CR293, 294	X	VP20650	VP20650
s5	W291	X	V941190	V941190
s6	F3	X	T4AL250V K800079	T4AL250V K800079
s7	C360	470025	470025	470025

⊙: NOT USED
 ⊙: USED, APPLICABLE



* All voltages are measured with a 10MΩ/V DC electronic volt meter.
 * Components having special characteristics are marked with a triangle and must be replaced with parts having specifications equal to those originally installed.
 * Schematic diagram is subject to change without notice.

* 電圧は、内部抵抗10MΩの電圧計で測定したものです。
 * 三角形のある部品は、安全性確保部品を示しています。部品の交換が必要な場合、パーツリストに記載されている部品を使用してください。
 * 本回路図は標準回路図です。改良のため予告なく変更することがございます。



Page 82 [H10] to MAIN (2)

S1	Part	X5330				X5331			
		J	U. C	R	L	T. K	A	B	G. E
S1	R412	39K HF45739	22K HF45722	2.2K HF45622	2.2K HF45622	2.2K HF45622	2.2K HF45622	2.2K HF45622	2.2K HF45622
S2	C405	0.047/400	0.047/400	0.022/630	0.022/630	0.022/630	0.022/630	0.022/630	0.022/630
S3	C409	0.1/400	0.1/400	0.047/630	0.047/630	0.047/630	0.047/630	0.047/630	0.047/630
S4	F1	8A125V VS82330	8A125V VS82330	8A125V VS82330	8A125V VS82330	T4.0A250V KB00079	T4.0A250V KB00079	T4.0A250V KB00079	T4.0A250V KB00079
S5	F2	X	8A125V VS82330	X	X	X	X	X	T2.5AH250V VT94290
S6	J401	0	X	0	0	0	0	0	X
S7	CB403-404	X	0	X	X	X	X	X	0
S8	T401	XW605	XW606	XV444	XV444	XW608	XW608	XW608	XW608
S9	TE401	VU54310	VU54310	V586740	VU54340	V586740	VT91500	VU54330	VU54340
S10									
S11	R410	X	1/2P2.2M V673000	X	X	X	X	X	X
S12	C411	3300/16	3300/16	3300/50	3300/50	3300/16	3300/16	3300/16	3300/16
S13	RY401	SDT-S-112LMR DG12D1-0[M]-II ALKS321	DLS12D1-0[M]	SDT-S-112LMR DG12D1-0[M]-II ALKS321	SDT-S-112LMR DG12D1-0[M]-II ALKS321	SDT-S-112LMR DG12D1-0[M]-II ALKS321	SDT-S-112LMR DG12D1-0[M]-II ALKS321	SDT-S-112LMR DG12D1-0[M]-II ALKS321	SDT-S-112LMR DG12D1-0[M]-II ALKS321

X: NOT USED
 O: USED / APPLICABLE

Interchangeable Parts at Manufacture-Stage

Mark	Reference Parts Number	Parts Name
&1	D401-402-406-409-411	HSS104 1SS133 1SS176
&2	Q404	2SK3850 2SK3491
&3		
&4		

NOTICE (model)

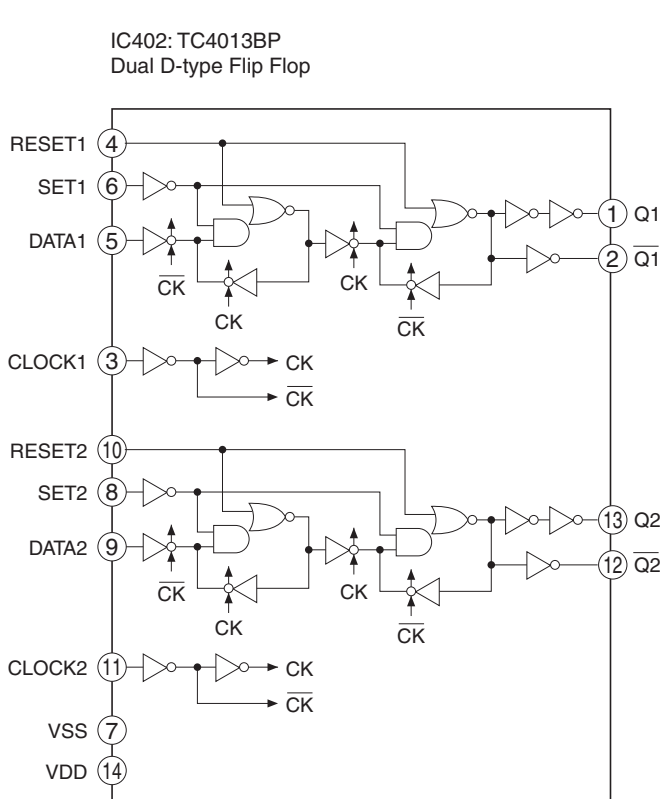
- (J)..... JAPAN
- (U)..... U. S. A
- (C)..... CANADA
- (R)..... GENERAL
- (T)..... CHINA
- (K)..... KOREA
- (A)..... AUSTRALIA
- (B)..... BRITISH
- (G)..... EUROPE
- (L)..... SINGAPORE
- (E)..... SOUTH EUROPE

RESISTOR

REMARKS	PARTS NAME
NO MARK	CARBON FILM RESISTOR (P=5)
☒	CARBON FILM RESISTOR (P=10)
△	METAL OXIDE FILM RESISTOR
▲	METAL FILM RESISTOR
☒	METAL PLATE RESISTOR
☒	FIRE PROOF CARBON FILM RESISTOR
☐	CEMENT MOLDED RESISTOR
⊙	SEMI VARIABLE RESISTOR
■	CHIP RESISTOR

CAPACITOR

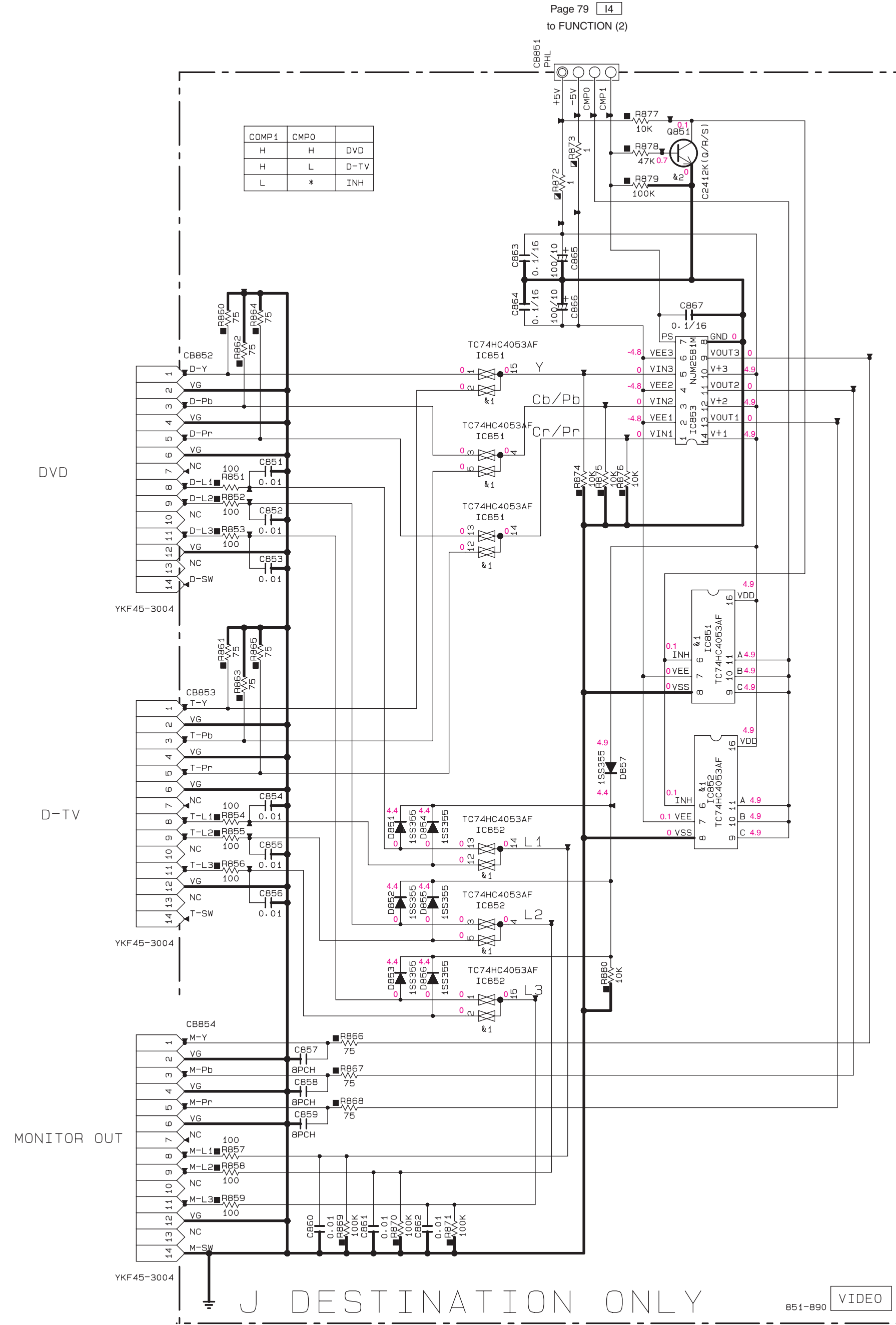
REMARKS	PARTS NAME
NO MARK	ELECTROLYTIC CAPACITOR
⊗	TANTALUM CAPACITOR
NO MARK	CERAMIC CAPACITOR
●	CERAMIC TUBULAR CAPACITOR
⊙	POLYESTER FILM CAPACITOR
○	POLYSTYRENE FILM CAPACITOR
⊖	MICA CAPACITOR
⊕	POLYPROPYLENE FILM CAPACITOR
⊗	SEMICONDUCTIVE CERAMIC CAPACITOR
Ⓢ	POLYPHENYLENE SULFIDE FILM CAPACITOR



* All voltages are measured with a 10MQ/V DC electronic volt meter.
 * Components having special characteristics are marked △ and must be replaced with parts having specifications equal to those originally installed.
 * Schematic diagram is subject to change without notice.

* 電圧は、内部抵抗10MQの電圧計で測定したものです。
 * △印のある部品は、安全性確保部品を示しています。部品の交換が必要な場合、パーツリストに記載されている部品を使用してください。
 * 本回路図は標準回路図です。改良のため予告なく変更することがございます。

Page 79 14
to FUNCTION (2)



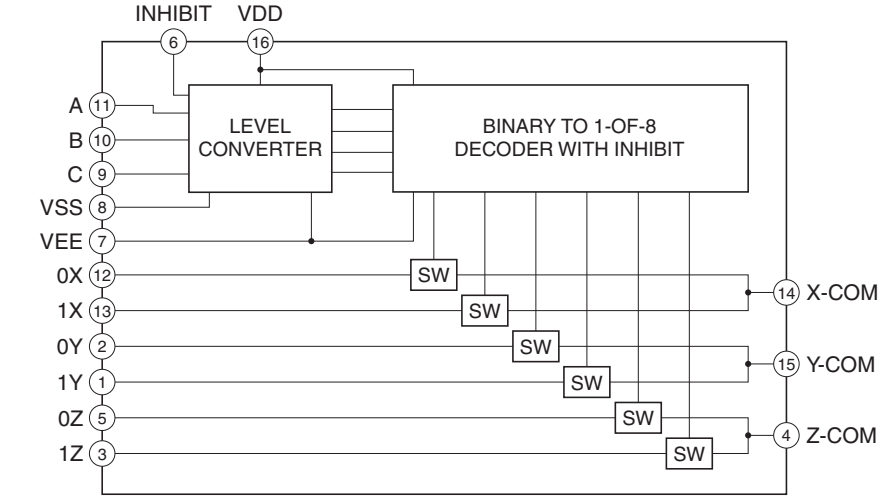
NOTICE (model)
(J)..... JAPAN

REMARKS	PARTS NAME
NO MARK	CARBON FILM RESISTOR (P=5)
□	CARBON FILM RESISTOR (P=10)
△	METAL OXIDE FILM RESISTOR
⊠	METAL FILM RESISTOR
⊡	METAL PLATE RESISTOR
⊞	FIRE PROOF CARBON FILM RESISTOR
⊞	CEMENT MOLDED RESISTOR
⊞	SEMI VARIABLE RESISTOR
⊞	CHIP RESISTOR

REMARKS	PARTS NAME
NO MARK	ELECTROLYTIC CAPACITOR
⊗	TANTALUM CAPACITOR
NO MARK	CERAMIC CAPACITOR
●	CERAMIC TUBULAR CAPACITOR
⊙	POLYESTER FILM CAPACITOR
○	POLYSTYRENE FILM CAPACITOR
⊖	MICA CAPACITOR
⊕	POLYPROPYLENE FILM CAPACITOR
⊕	SEMICONDUCTIVE CERAMIC CAPACITOR

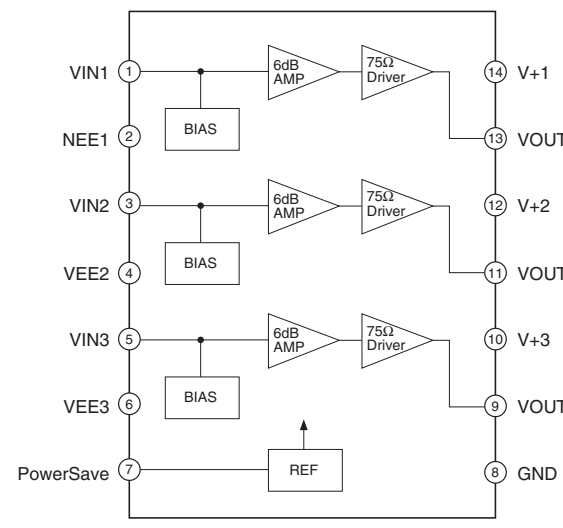
Mark	Reference Parts Number	Parts Name
k1	IC851, 852	TC74HC4053AF MM74HC4053SUX
k2	Q851	C2412K1G/R/S) D601A(G/R/S)

IC851, 852: TC74HC4053AF
Analog Multiplexer/Demultiplexer



INPUT STATES				'ON' CHANNEL (S)
INHIBIT	C	B	A	
0	0	0	0	0X, 0Y, 0Z
0	0	0	1	1X, 0Y, 0Z
0	0	1	0	0X, 1Y, 0Z
0	0	1	1	1X, 1Y, 0Z
0	1	0	0	0X, 0Y, 1Z
0	1	0	1	1X, 0Y, 1Z
0	1	1	0	0X, 1Y, 1Z
0	1	1	1	1X, 1Y, 1Z
1	X	X	X	NONE

IC853: NJM2581M
Video Amp



* All voltages are measured with a 10MQV DC electronic volt meter.
* Components having special characteristics are marked !, and must be replaced with parts having specifications equal to those originally installed.
* Schematic diagram is subject to change without notice.

* 電圧は、内部抵抗10MQの電圧計で測定したものです。
* 上印のある部品は、安全性確保部品を示しています。部品の交換が必要な場合、パーツリストに記載されている部品を使用してください。
* 本回路図は標準回路図です。改良のため予告なく変更することがございます。